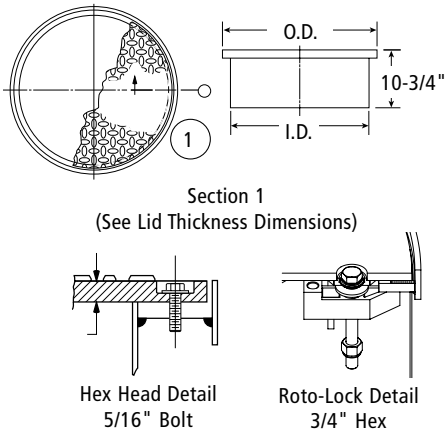


OPW 110/120 Series Steel Round Manholes

OPW 110/120 Series Round Manholes are designed for use in a wide range of service station driveway, industrial and commercial applications. The 110s and 120s are used to provide access to all types of underground equipment, including vapor recovery connections, UST monitoring equipment and submersible pumps. The 120 Series includes Roto-Lock fasteners on 24" and larger manholes.



Replacement Parts

Part #	Description
P110-8G	8" Replacement Gasket
P110-12G	12" Replacement Gasket
P110-16G	16" Replacement Gasket
P110-18G	18" Replacement Gasket
P110-24G	24" Replacement Gasket
P110-30G	30" Replacement Gasket
P110-37G	37" Replacement Gasket
P110-40G	40" Replacement Gasket
P110-42G	42" Replacement Gasket
P110-48G	48" Replacement Gasket
PROTO-LOCK	(1) Replacement Roto-Lock
P110-8L	Replacement Cover 8"
P110-12L	Replacement Cover 12"
P110-16L	Replacement Cover 16"
P110-18L	Replacement Cover 18"
P110-24L	Replacement Cover 24"
P110-37L	Replacement Cover 37"
P110-40L	Replacement Cover 40"
P110-42L	Replacement Cover 42"
P110-48L	Replacement Cover 48"
P110-18WT	Replacement Cover 18" Bolt Down
P110-24WLT	Replacement Cover 24" Bolt Down
P110-37WLT	Replacement Cover 37" Bolt Down
P110-42WLT	Replacement Cover 42" Bolt Down
P110-48WTL	Replacement Cover 48" Bolt Down
P120-37L	Replacement Cover 37" Roto-Lock
P120-42L	Replacement Cover 42" Roto-Lock
RPHK	Replacement Handle

Materials

- Skirt:** Galvanized steel
- Cover:** Steel diamond plate
- Ring:** Cast iron or fabricated steel
- Gasket:** Nitrile



Features

- ◆ **Standard and Raintight Models Available** – raintight models include Buna-N gaskets and recessed hex-head bolts or Roto-Lock fasteners to help prevent water intrusion
- ◆ **Wide Range of Sizes** – sizes range from 24" to 48" (61 to 122 cm) to accommodate a wide range of applications. Custom sizes and configurations are also available
- ◆ **Easy Cover Removal** – an integral recessed handle is included on all raintight and plain manholes 24" and larger. Manholes 42" and larger include dual recessed handles and provision for centered 1/2" - 13 threaded allen head blind plug for easy removal so that a 1/2" - 13 eyebolt can be threaded into the hole for easier removal of covers
- ◆ **Highway 20 Rated (H20)** – all OPW spill containers and manholes exceed the requirements of the Highway 20 rating

Ordering Specifications

Model #	Description	Cover O.D.		Skirt I.D.		Thickness		Weight		Ring
		in.	cm	in.	cm	in.	cm	lbs.	kg	
6110-24WT	Raintight*	24	61	21 ⁵ / ₈	55	³ / ₈	9	88	40	Fab. Steel
6110-2410	Standard*	24	61	21 ⁵ / ₈	55	³ / ₈	9	88	40	Fab. Steel
6110-30WT	Raintight*	30	76	27 ⁵ / ₈	70	¹ / ₂	13	160	73	Fab. Steel
6110-3010	Standard*	30	76	27 ⁵ / ₈	70	³ / ₈	9	160	73	Fab. Steel
6110-37WT	Raintight*	37	94	34 ⁵ / ₈	88	¹ / ₂	13	178	81	Fab. Steel
6110-3710	Standard*	37	94	34 ⁵ / ₈	88	³ / ₈ **	9	178	81	Fab. Steel
6110-4010	Standard*	40	102	37 ⁵ / ₈	96	³ / ₈	9	198	90	Fab. Steel
6110-42WT	Raintight*	42	107	39 ⁵ / ₈	101	¹ / ₂ **	13	290	132	Fab. Steel
6110-4200	Standard	42	107	39 ⁵ / ₈	101	¹ / ₂ **	13	290	132	Fab. Steel
6110-48WT	Raintight*	48	122	45 ⁵ / ₈	116	¹ / ₂ **	19	390	177	Fab. Steel
6110-42WT18	Raintight with 18" skirt*	42	107	39 ⁵ / ₈	101	¹ / ₂ **	13	290	132	Fab. Steel
6120-24WT	Roto-Lock Raintight 24WT*	24	61	22 ⁵ / ₈	55	³ / ₈	9	88	40	Fab. Steel
6120-30WT	Roto-Lock Raintight 30WT*	30	76	28 ⁵ / ₈	70	¹ / ₂	13	160	73	Fab. Steel
6120-37WT	Roto-Lock Raintight 37WT*	37	94	35 ⁵ / ₈	88	³ / ₈	13	178	81	Fab. Steel
6120-42WT	Roto-Lock Raintight 42WT*	42	107	40 ⁵ / ₈	101	¹ / ₂ **	13	290	132	Fab. Steel
6120-48WT	Roto-Lock Raintight 48WT*	48	122	46 ⁵ / ₈	116	¹ / ₂ **	19	390	177	Fab. Steel

* Recessed Handle

** Reinforced Cover

Standard - Plain No Bolts

Raintight - Bolt Down

Deep skirts available upon request