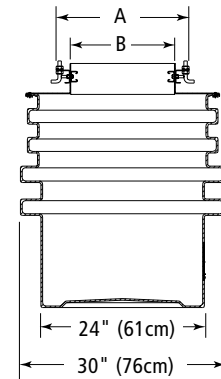
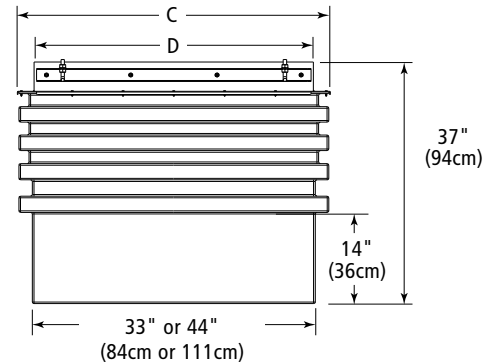




Wide Access Polyethylene Dispenser Sumps



Features & Benefits:

- ◆ **Contractor-Friendly Installation** – open top provides unrestricted access to the inside of the containment chamber to facilitate entry fitting and piping installation. Dispenser mounting frame is attached after plumbing is complete
- ◆ **Deeper Burial Capability** – 37" burial depth allows piping slope requirements to be met more easily in layouts with long piping runs
- ◆ **Simple Field Height Adjustment** – the top portion of the chamber can be quickly and easily trimmed along the ribs to ensure maximum installation flexibility
- ◆ **Full Perimeter Liquid Collection Channel** – facilitates quick leak detection and allows flexibility in locating leak sensors
- ◆ **Convenient Shipping and Storage** – sump boxes are partially nestable. Two chamber sizes accept multiple frames to accommodate all common dispensers
- ◆ **Polyethylene Top** – polyethylene top will not corrode

Ordering Specifications - Wide Access Polyethylene Dispenser Sumps

Sump Model #	Dimensions								Weight with Top		Box Part #	Top Assembly Part #
	A in.	A cm	B in.	B cm	C in.	C cm	D in.	D cm	lbs.	kg		
DSW-1120	15	38	11	28	37	94	20	51	94	43	E00590M	D02210
DSW-1123	15	38	11	28	37	94	23	58	94	43	E00590M	D02212
DSWF-1123F *	15	38	11	28	37	94	23	58	94	43	E00590M	D02213
DSW-1543 **	18.5	47	14.375	37	46	117	42.5	108	95	43	E00590M	D02550
DSW-1543C	18.5	47	14.375	37	46	117	36.3	92	95	43	E00591M	201491
DSF-1630	20	51	16	41	37	94	30	76	87	40	E00590M	D02536
DSW-1836	21	53	17	43	46	117	36	91	95	43	E00591M	D02511
DSW-1836C **	21	53	17	43	46	117	36	91	95	43	E00590M	201339
DSW-1836CL ***	21.1	53.5	16.7	42.4	41	104	37	94	95	43	206725	206726

SL-1100 Urethane Sealant - One Tube required per Sump (Packaged 12 tubes/case)

* Flush Mount model supplied without rain lip due to dispenser frame clearance limitations; Frame Gasket Included. Anchor bolts provided, Stabilizer Bar Kits ordered separately; One kit required for each emergency & vapor valve. Refer to FlexWorks Dispenser Sump Selection Chart (See Pages 35 - 36 of this catalog) to select sumps for particular dispensers. **Yellow indicates metal top model.**

** Conduitless with Offset Top.

*** Conduitless Narrow Base.