

T195SV Vapor Recovery Vent

01-10-005DS

Civacon's Vapor Recovery Vent has improved flow and less pressure drop. It will retro-fit all TTMA flanged vapor vents and improves installation by adding a new rotatable design.

The Civacon T195SV Vapor Recovery Vent is designed and tested to take the punishment of temperature from -40°F to 160°F (-40°C to 71°C). A new cap design threads into the top of the vent which allows for a better seal and eliminates the snap ring system.

The vent's new spanner nut mounting design allows more freedom for mounting the vent, you are no longer restricted to the normal TTMA bolt pattern. Seals are new and improved to be compatible with Ethanol, Methanol, Diesel, Bio diesel and Gasoline products being hauled in DOT406 tanks today.



Features and Benefits

- Lightweight Aluminum Body
- Valve stroke increased by 50% (1-1/2" total seat opening)
- Increased Spring Tension for a quick, tight closure
- Dual fluorosilicon piston o-ring seals and a new lower shaft seal and wiper protects the air system
- New added external exhaust port for quicker opening and closing of vent's poppet
- Viton® GF gasket and seals
- Thread in cap design eliminates snap ring
- Improved flow rating and less pressure drop
- New rotatable mounting design eases retrofits
- Fits in place of all TTMA flange mounted vents
- Single o-ring seal to manhole minimizes potential mounting lead paths of bolted design
- No minimum operating pressure
- Maximum operating pressure 36 psi (MAWP)



T195SV Vapor Recovery Vent

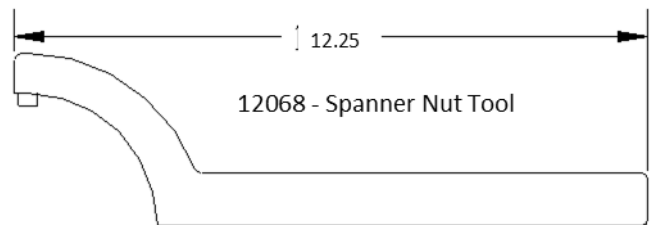
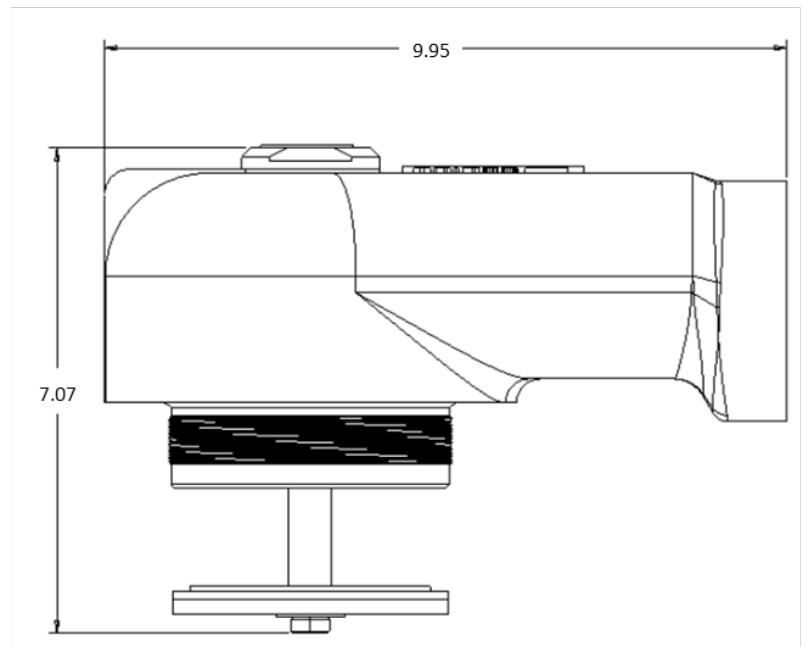
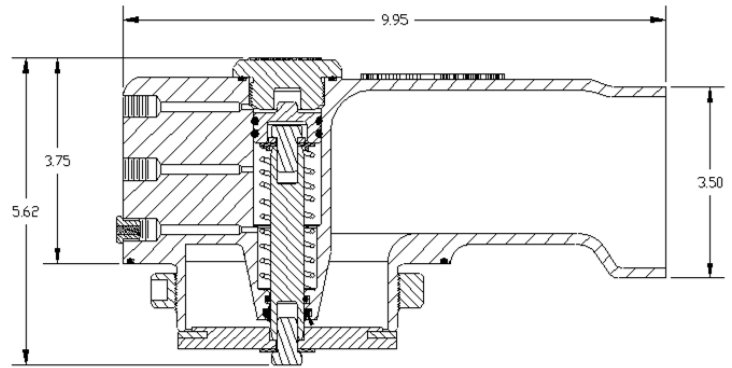
Specifications

- Product Number: T195SV
- Materials: Aluminum, Stainless Steel, Viton®
- Dimensions:
 - Height Closed - 5.62"
 - Height Open - 7.07"
 - Ride Height - 3.75"
 - Length - 9.95"
- Weight: 5.75 lbs. (2.60 kg)
- Temperature: -40°F to 160°F (-40°C to 71°)



The T195SV Vapor Recovery Vent

mounts using a spanner nut and seal to the manhole plate outside the existing TTMA bolt pattern. This mounting style no longer limits how the vent is mounted. Just angle the vent as needed.



Ordering Specifications

Part Number	Description
T195SV	Vapor Recovery Vent (20" Manhole)
T195SVRK	Repair Kit, T195SV Vapor Recovery Vent
12068	Spanner Nut Tool, T195SV Vapor Recovery Vent