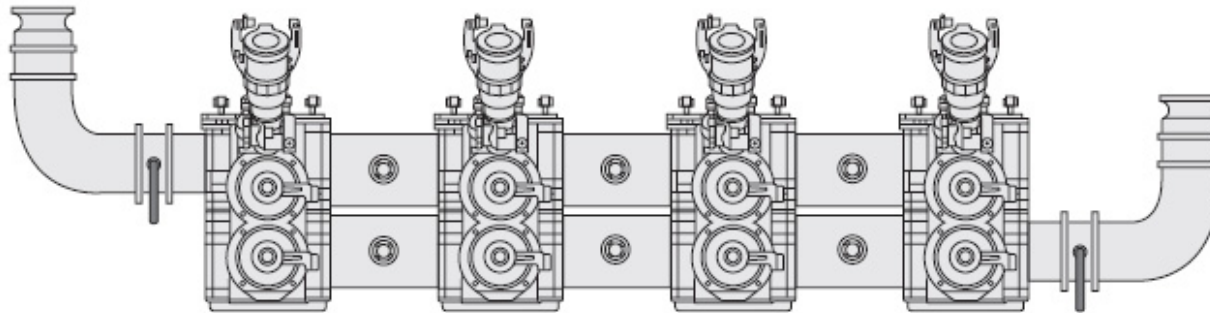


Plan View of Gravity Adapters on Curbside

01-05-028CH



www.civacon.com ◆ 9393 Princeton-Glendale Road ◆ Hamilton, Ohio, USA 45011 ◆ Phone: (800) 422-2525 ◆ Fax: (800) 421-3297

NOTE: All information subject to engineering and/or other changes. All trade names are copyrighted. Patents Pending. ©2018 Civacon. ©2018 Delaware Capital Formation, Inc. All Rights Reserved. DOVER and the DOVER logo are registered trademarks of Delaware Capital Formation, Inc., a wholly-owned subsidiary of Dover Corporation.

Rev B Mar 2020

DEFINING | WHAT'S NEXT