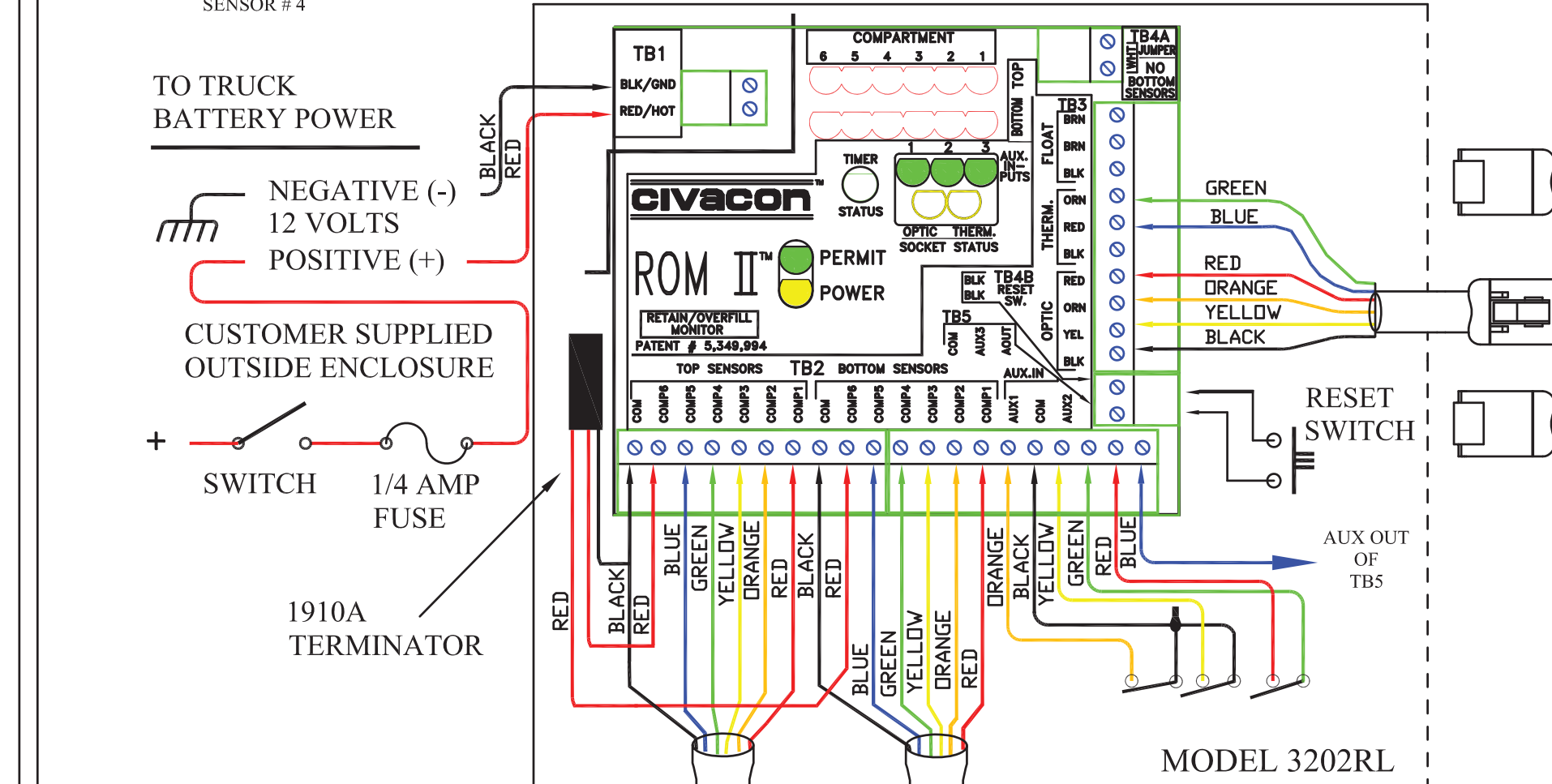
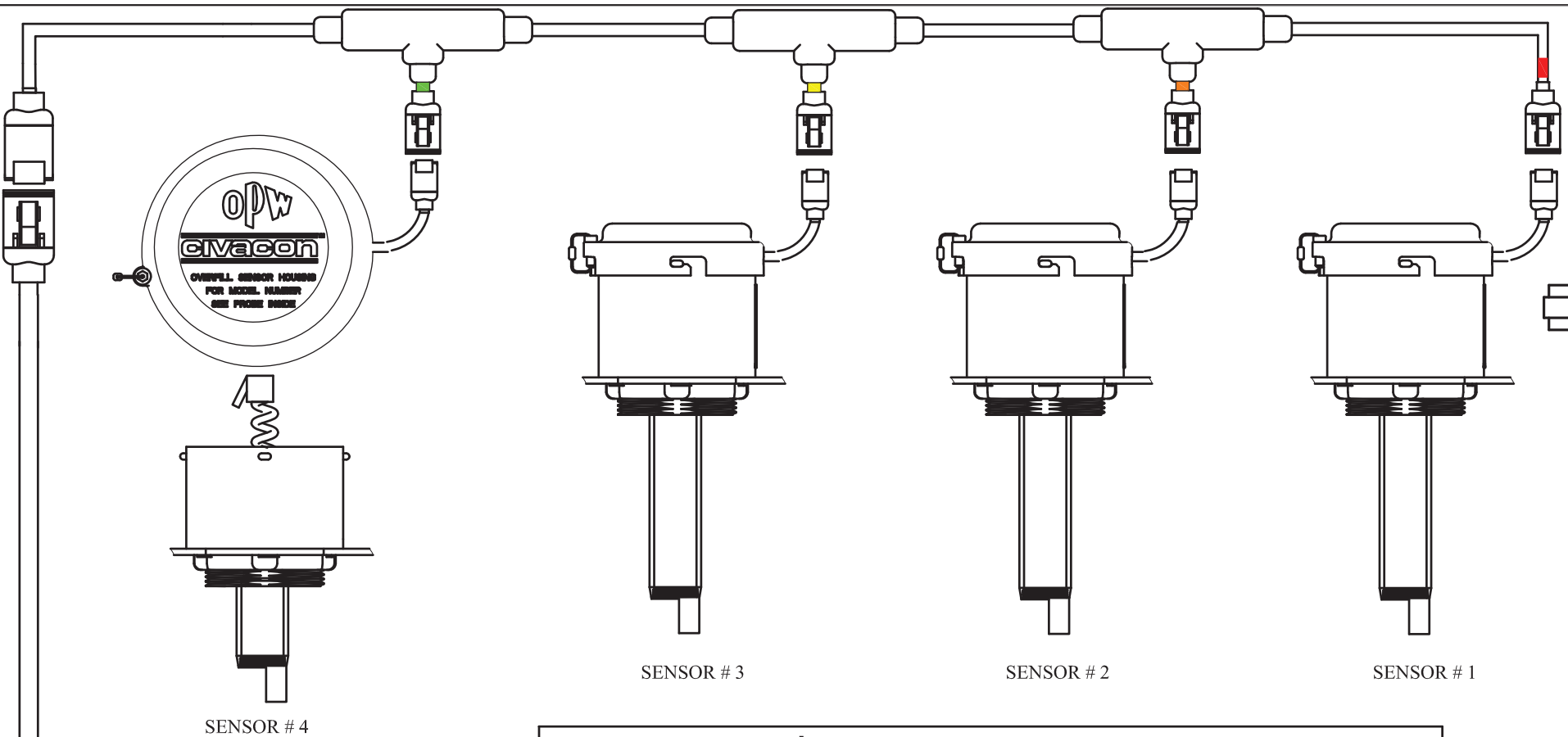
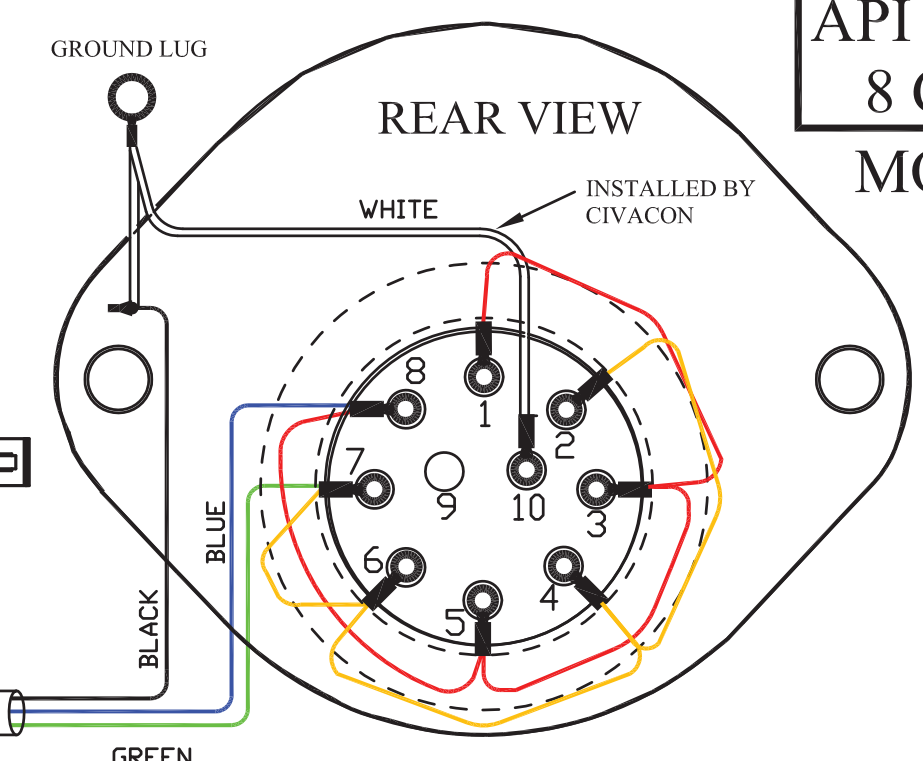
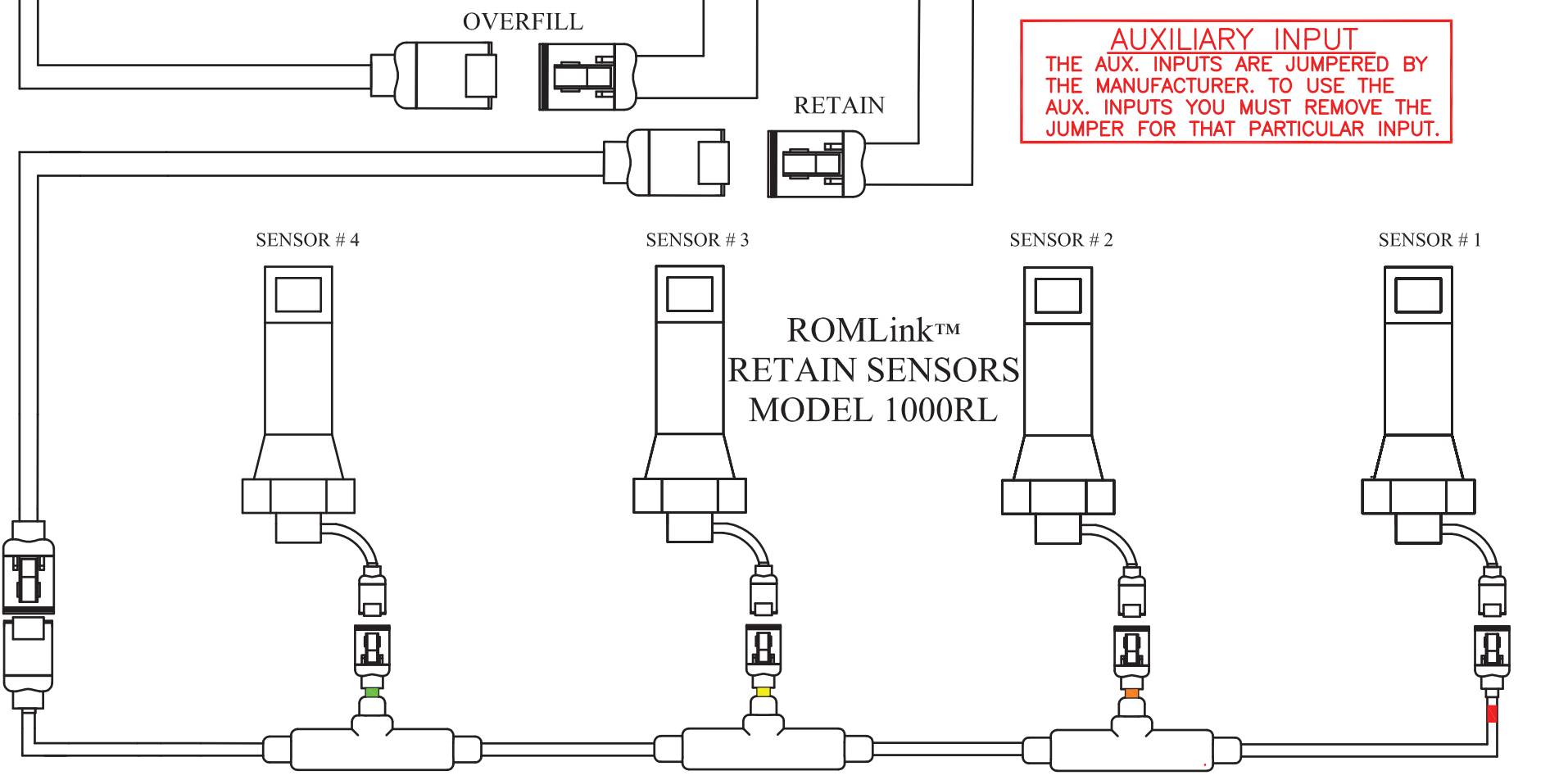


ROMLINK™

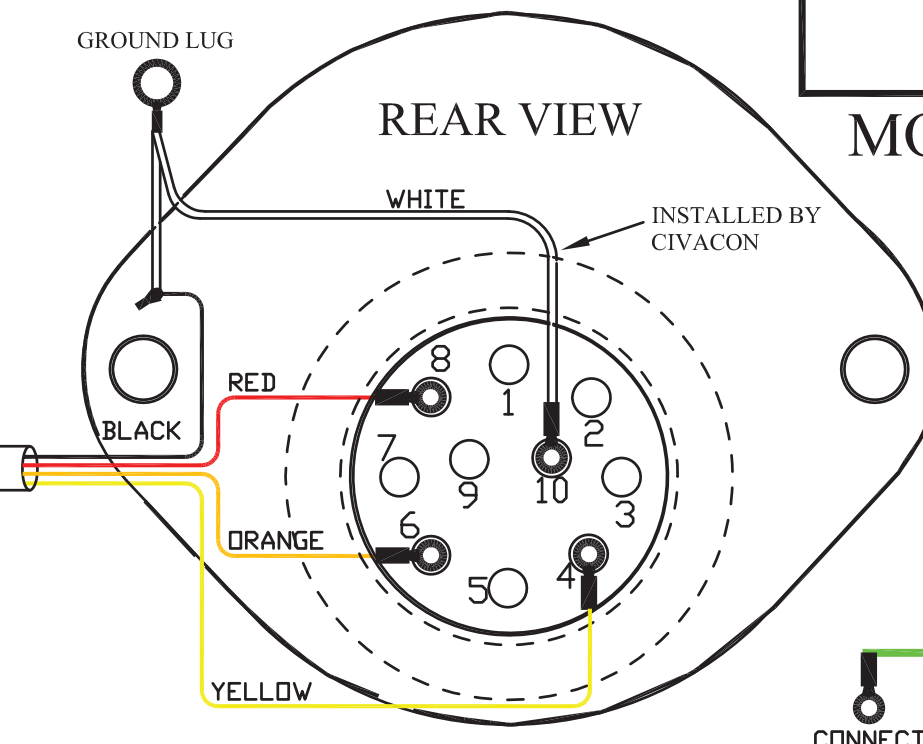
ROMLink™
OVERFILL SENSORS
MODEL 1554-XXX



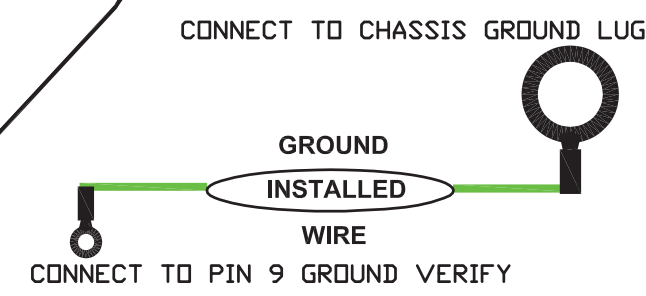
AUXILIARY INPUT
THE AUX. INPUTS ARE JUMPERED BY THE MANUFACTURER. TO USE THE AUX. INPUTS YOU MUST REMOVE THE JUMPER FOR THAT PARTICULAR INPUT.



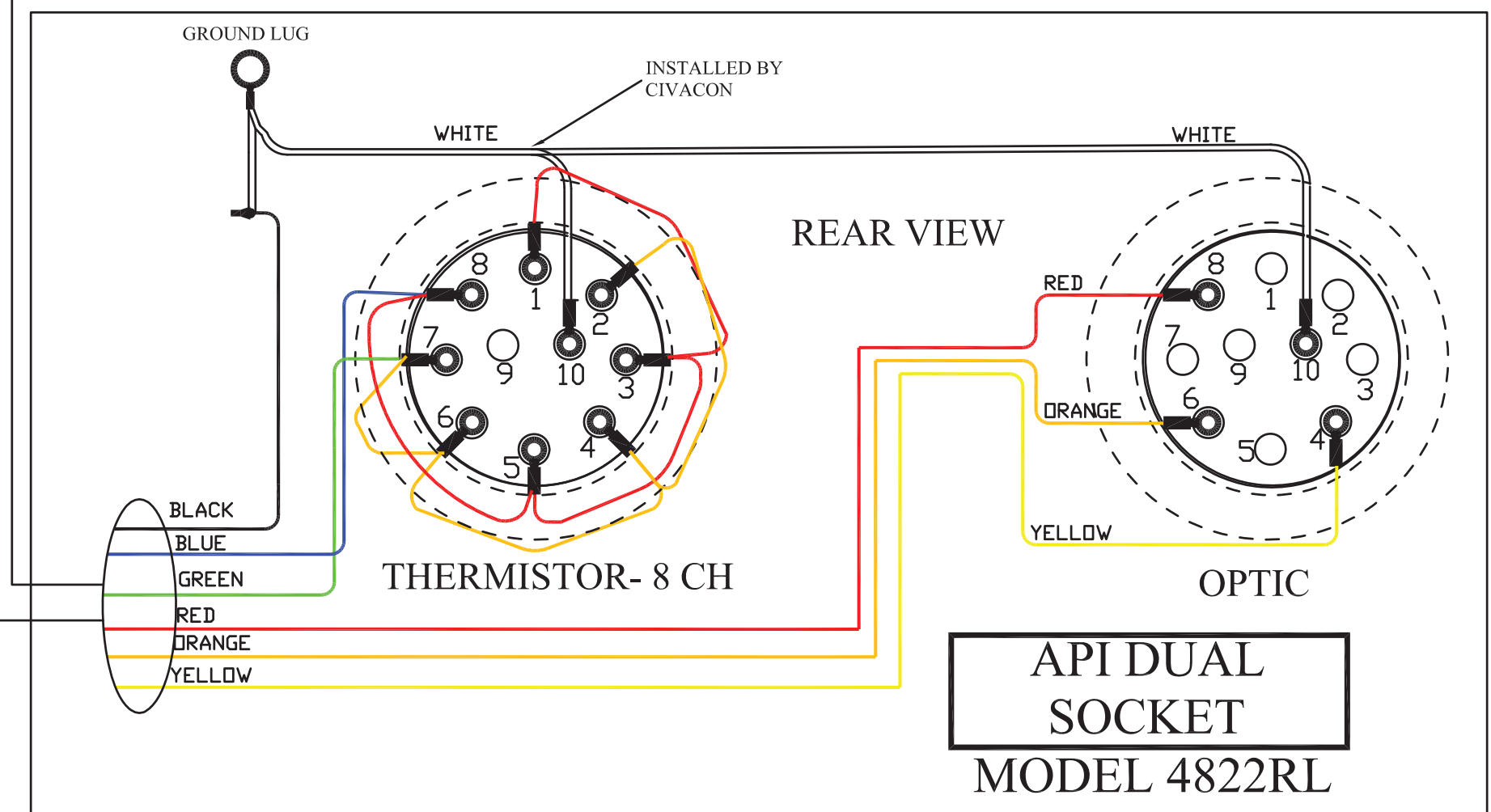
API THERMISTOR
8 CH SOCKET
MODEL 4402RL



API OPTIC
SOCKET
MODEL 4102RL



ALL SOCKETS COME EQUIPPED WITH INTERNAL
GROUND VERIFY WIRE GS1001



API DUAL
SOCKET
MODEL 4822RL

CIVACON
PART OF OPW A DOVER COMPANY
TECHNICAL SUPPORT:
1-800-5 CIVACON
1-800-524-8226
CUSTOMER SERVICE:
1-888-526-5657
1-816-741-6600