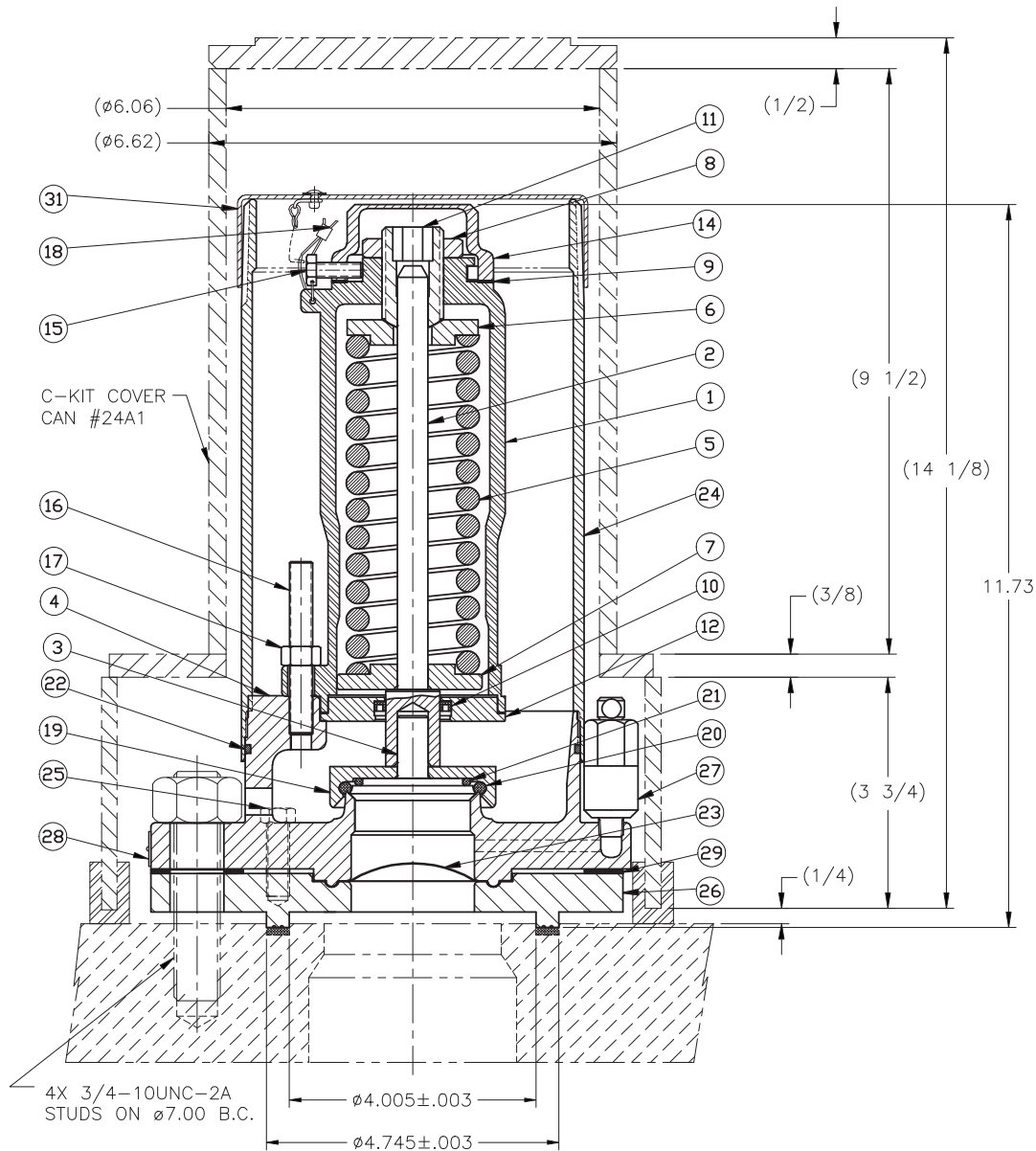


Model A-15241-HC

Pressure Relief Valve



Item	Qty	Part Name	Part No.	Material
1	1	Top Guide	15-001-SS	Stainless Steel
2	1	Stem	15-002-XC	Hast. C/Monel
3	1	Plug	15-003-HC	Hastelloy C
4	1	Body	15-004-HC	Hastelloy C
5	1	Spring	15-0225-SS	Stainless Steel
6	1	Follower	15-006-SS	Stainless Steel
7	1	Guide	15-007-SS	Stainless Steel
8	1	Top Nut	15-008-SS	Stainless Steel
9	1	Top Gasket	15-9-VA	Viton
10	1	Shaft Seal	17-10-TF	PTFE
11	1	Adjusting Screw	15-0111-SS	Stainless Steel
12	1	Seal Retainer	14-12-ML	Monel
13				
14	1	Cap	15-0141-SS	Stainless Steel
15	1	Seal Screw	14-15-SS	Stainless Steel
16	4	Stud	14-16-ML	Monel
17	4	Nut	14-17-ML	Monel
18	1	Wire Seal	15-18-PB	Stainless/Lead
19	1	Retainer	15-019-HC	Hastelloy C
20	1	Seat "O"-Ring	15-020-VG	Viton
21	1	Plug "O"-Ring	15-021-VG	Viton
22	1	Flue "O"-Ring (1)	15-022-VG	Viton
23	1	Rupture Disc	15-023-TA-239	Tantalum
24	1	Flue (1)	15-0241-PC	CPVC (*)
25	4	Bolt	17-31-SS	Stainless Steel
26	1	Adapter Flange	15-026-ML	Monel
27	1	Needle Valve	A-251-ML	Monel
28	1	Nameplate	15-069-SS	Stainless Steel
29	1	Filler	15-029-SS	Viton
30				
31	1	Protective Cap/Chain (1)	15-0311-PE	Polyethylene/SS

NOTE: (*) Alternate Materials Available

(1) Optional. Add Model Number Suffix -PF For Plastic Flue or -S for Stainless Flue. Items 22 & 31 are Included with Flue

(2) Flow Rate: 12,740 SCFM -Air @ 262.9 PSIG Calculated Based on Actual Test Results of 12,034 SCFM-Air @ Flow Rating Pressure of 247.5 PSIG

(3) PRV Setting: 217.5 PSIG (209-217.5 PSIG)
Disc Setting: 239 PSIG

Valve Part Number	Pressure Setting (PSIG)	Flow Rate (SCFM Air)
A-15241-HC	239	12,740 (SEE NOTE 2)