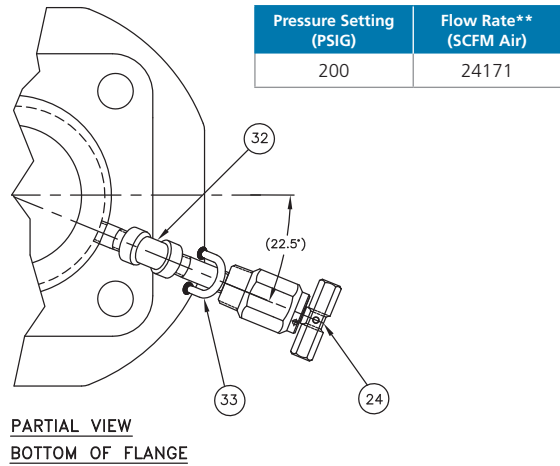
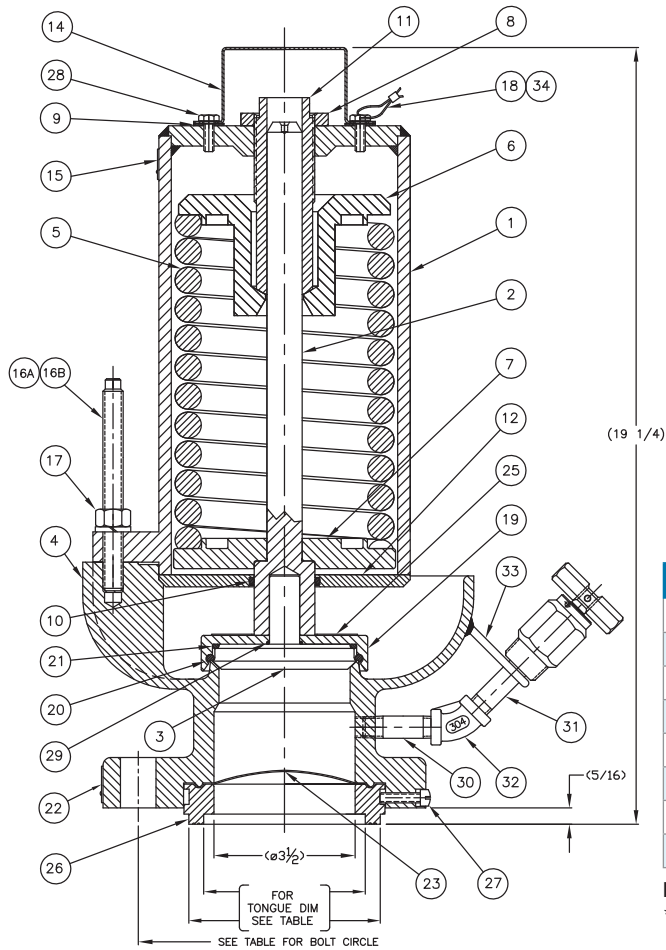


Model A-19202-NIRD Series

Top Style Safety Valve with Frangible Disc



Mounting Suffix	Size of Four Holes	Bolt Circle	Mounting Tongue
Standard	7/8"	6 1/4"	4.745" x 4.005"
Use Suffix "H"	15/16"	-	-
Use Suffix "J"	3/4"	-	-
Use Suffix "B"	-	7 1/4"	-
Use Suffix "C"	-	Any Other	-
Use Suffix "M"	-	-	5.995" x 5.255"
Use Suffix "F"	-	-	Flat Flange
Use Suffix "P"	-	-	Any Other

NOTES:
*ALTERNATE MATERIAL AVAILABLE
** CALCULATED FROM A-19227

Item	Qty	Part Name	Material	Part Number
1	1	Top Guide	Steel	19-1-CS
2	1	Stem	Stainless Steel	19-2-SS
3	1	Plug	Stainless Steel	19-3-SS
4	1	Body	Steel	19-43-CS
5	1	Spring	Alloy Steel	19-255-AS
6	1	Follower	Steel	19-6-CS
7	1	Guide	Stainless Steel	19-7-SS
8	1	Top Nut	Steel	734-21-SS
9	1	Top Gasket	Buna-N	19-9-BN
10	1	Shaft Seal	Teflon	19-10-TF
11	1	Adjusting Screw	Stainless Steel	19-112-SS
12	1	Seal Retainer	Steel	19-12-CS
13				
14	1	Cap	Steel	19-14-SS
15	1	Instruction Plate	Stainless Steel	19-15-SS
16A	2	Stud	Alloy Steel	31-14-AS
16B	2	Stud	Alloy Steel	31-141-AS
17	4	Nut, Plated	Steel	10-15-CS
18	1	Wire Seal	SS/Lead	22-72-PB
19	1	Retainer	Stainless Steel	19-19-SS
20	1	Seat "O" Ring	Buna-N	27-11-BN
21	1	*Plug "O" Ring	Buna-N	31-11-BN
22	1	Nameplate	Stainless Steel	19-202-SS
23	1	Rupture Disc	Nickle Steel	19-23-NI-200
24	1	Needle Valve	Stainless Steel	A-253-SS
25	1	Bumper	Laminated Neoprene	19-25-NE
26	1	Rupture Disc Flange	Steel	19-265-CS
27	2	Set Screw	Stainless Steel	19-27-SS
28	2	Bolt	Steel	545-251-MO
29	1	*Stem Seal	Buna-N	720-12-BN
30	1	Nipple	Stainless Steel	41-SS
31	1	Nipple	Stainless Steel	42-SS
32	1	45° Elbow	Stainless Steel	257-204-MO
33	1	U Bend	Steel	17-18-CS
34	2	HHCS w / Hole	Steel	15-15-CS