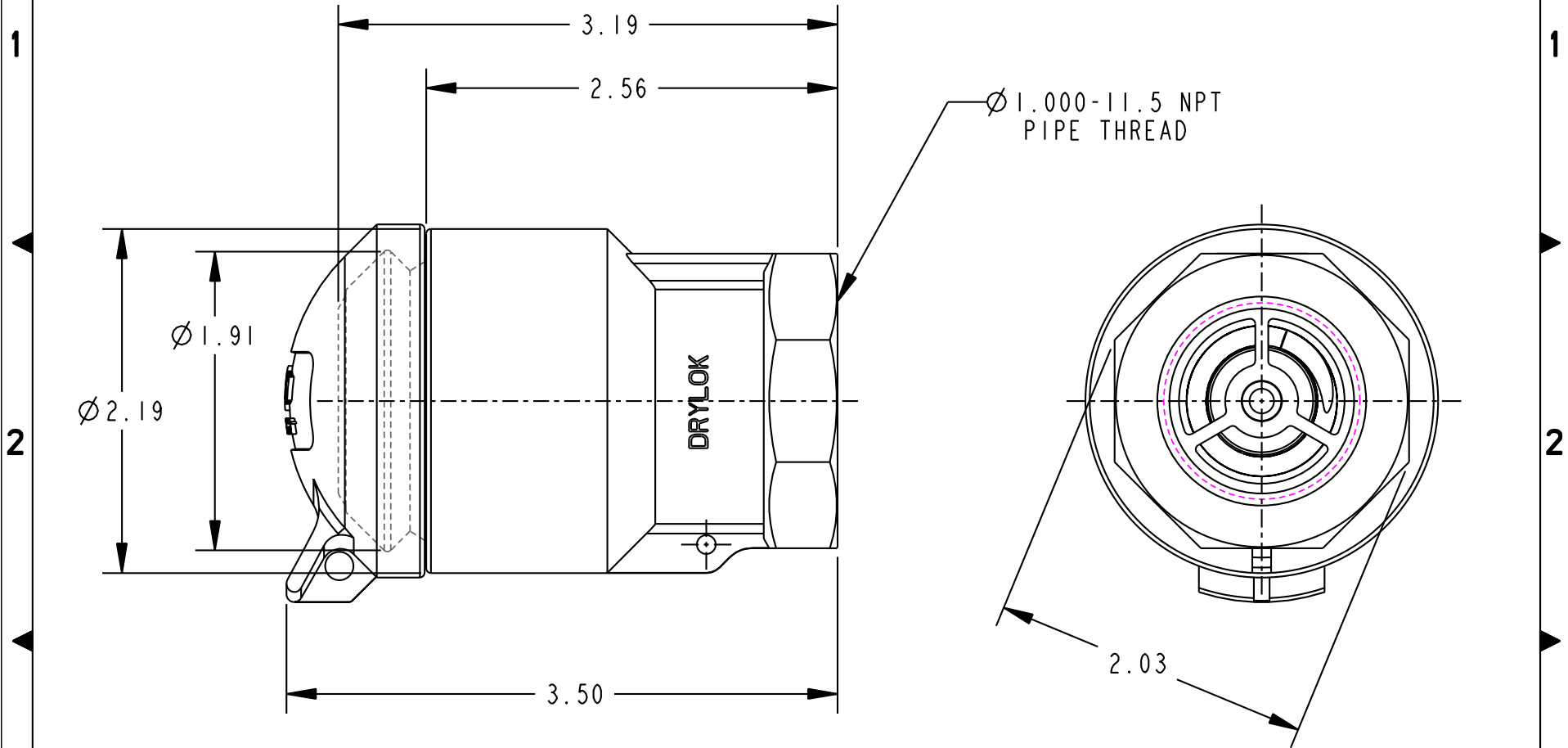


THIS DRAWING IS NOT TO BE SCALED. FOR ADDITIONAL INFORMATION, PLEASE CONTACT OUR ENGINEERING DEPT.

**REVISIONS**

LTR	ECN #	DESCRIPTION	DRAWN	APPROVED	DATE
REL	-	-	JPR		10-26-00



**CONFIDENTIAL** THIS DOCUMENT CONTAINS INFORMATION WHICH IS PROPRIETARY TO OPW, AND SHOULD BE PROTECTED ACCORDINGLY.

DESCRIPTION:

1" ADAPTOR ASSEMBLY

UNLESS OTHERWISE SPECIFIED  
 TOLERANCES ON DIMENSIONS  
 3 DECIMALS +/- 0.005  
 2 DECIMALS +/- 0.015  
 1 DECIMAL +/- 0.030  
 ANGLES +/- 1/2 DEG  
 MACHINED SURFACES 125 RMS MAX

SIGNATURES		MO-DA-YR
DRAWN BY:	JPR	10-26-00
CHECKED BY:	-	-
MATERIAL:	WEIGHT:	

REV  
**REL**  
SIZE  
**H**

PART NUMBER: <b>5670-710N</b>	
SCALE: 1.00	SHEET 1 OF 1

**OPW** **Engineered Systems**  
 A **DOVER** Resources Company  
 Lebanon, Ohio 45036 USA  
 3D GENERATED DRAWING

**A**

**B**

**C**