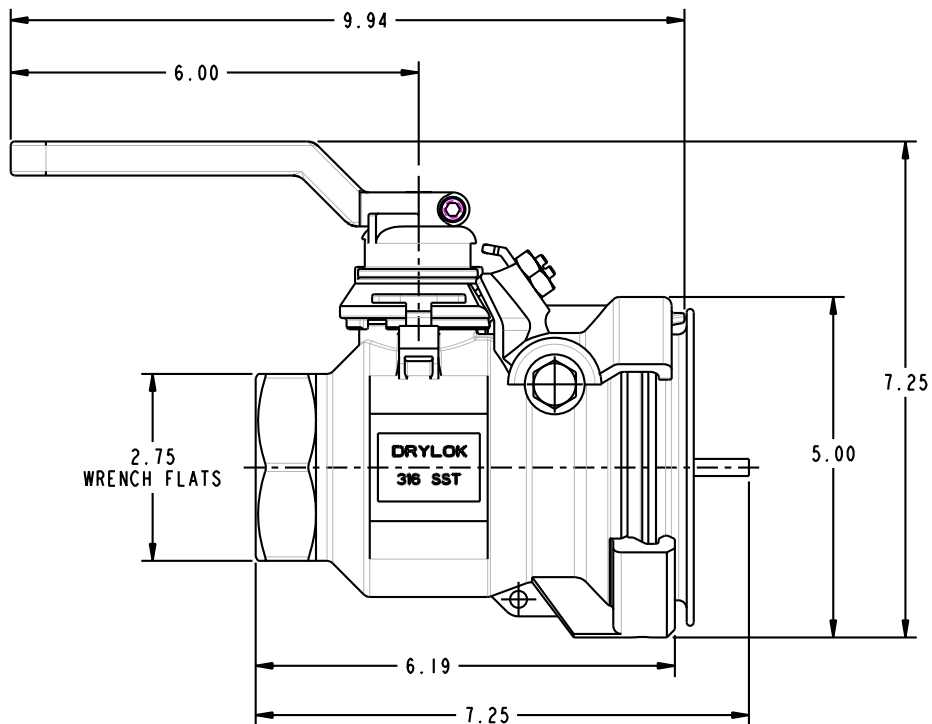
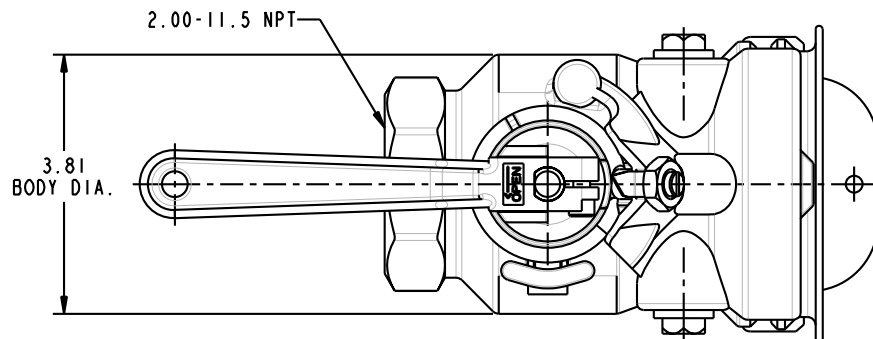


THIS DRAWING IS NOT TO BE SCALED. FOR ADDITIONAL INFORMATION, PLEASE CONTACT OUR ENGINEERING DEPT.

REVISIONS					
LTR	ECN #	DESCRIPTION	DRAWN	APPROVED	DATE
REL	-	-	JPR		06-13-01



CONFIDENTIAL THIS DOCUMENT CONTAINS INFORMATION WHICH IS PROPRIETARY TO OPW, AND SHOULD BE PROTECTED ACCORDINGLY.

DESCRIPTION: 2" DRYLOK COUPLER

SIGNATURES		MO-DA-YR
DRAWN: JPR		06-13-01
CHECKED: -		-
MATERIAL: SST	WEIGHT: 11.5#	

REV: REL	PART NUMBER: 5770-720N
SIZE: D	SCALE: 0.75
	SHEET 1 OF 1

OPW Engineered Systems
 A **BOYD** Resources Company
 Lebanon, Ohio 45036 USA
 3D GENERATED DRAWING