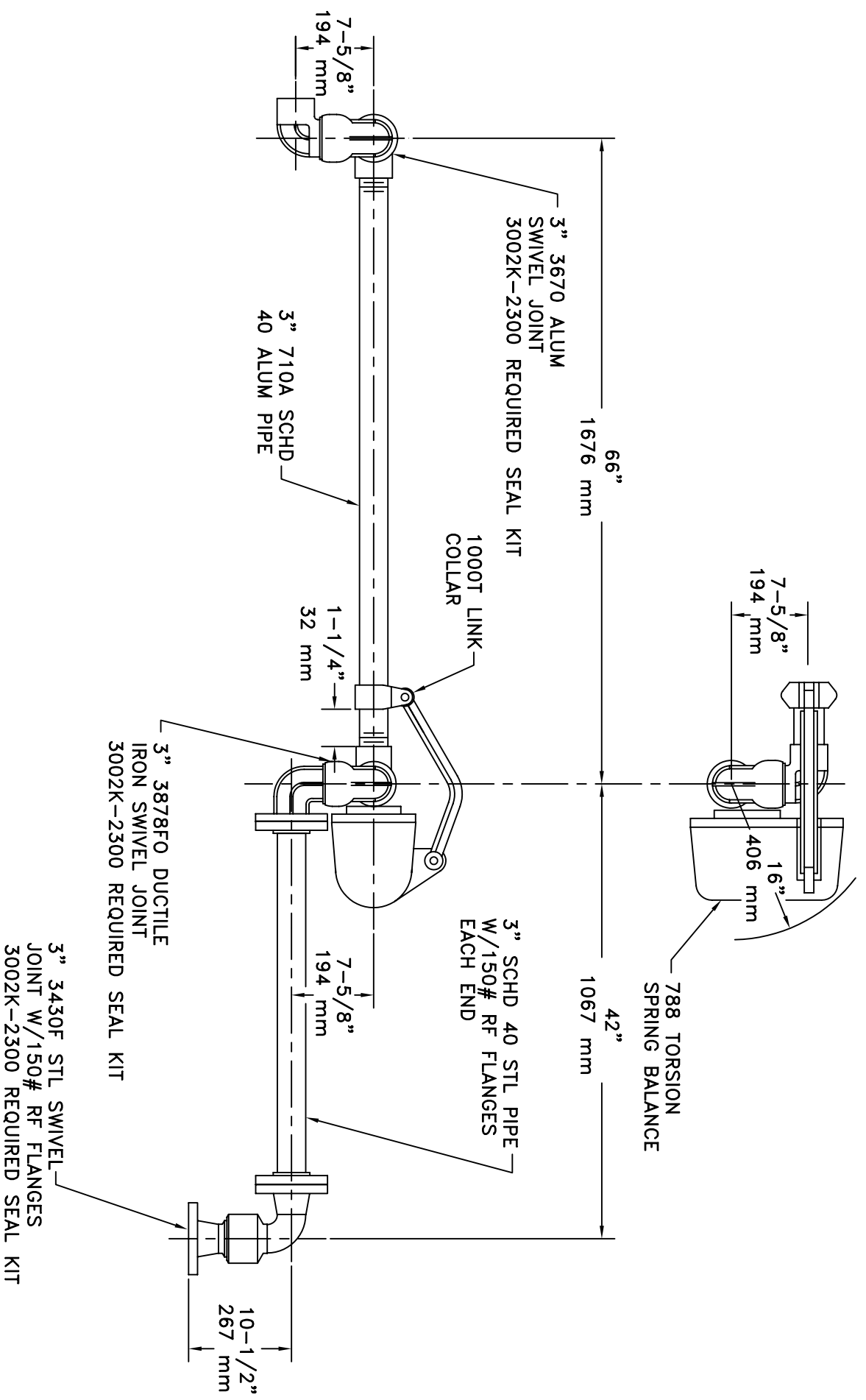


MATERIAL:  
DUCTILE IRON / STEEL / ALUMINUM  
VITON SEALS



### 3" OPW G32F WITHOUT VALVE



ARM IS NOT DESIGNED FOR PRODUCT RETENTION.