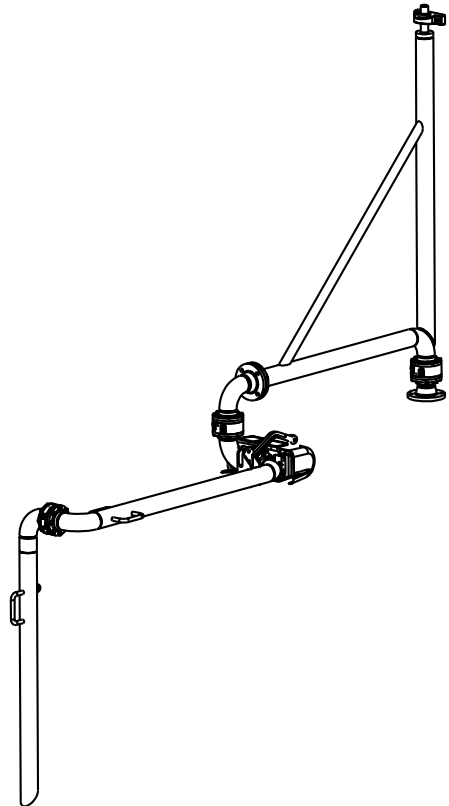
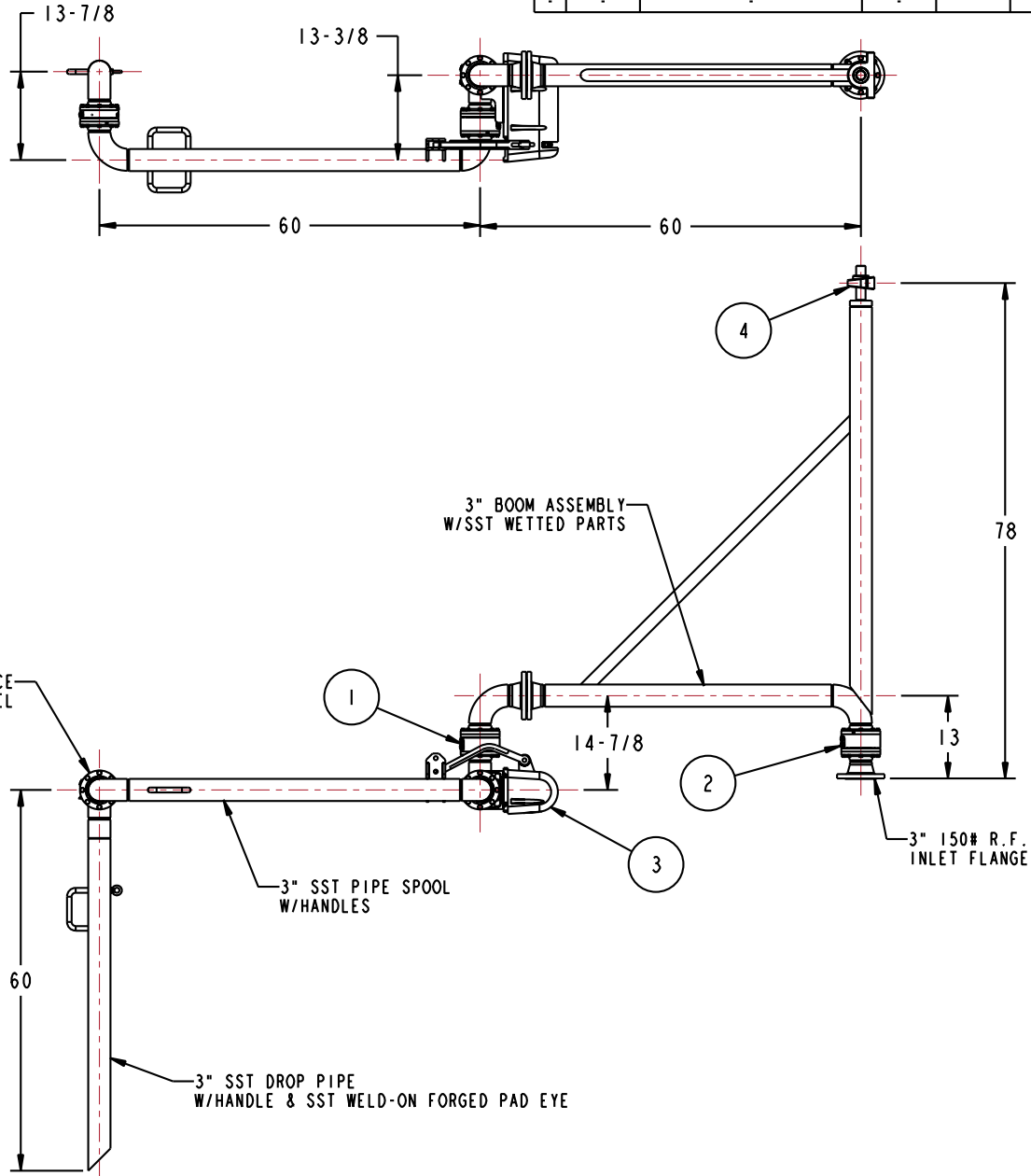


MATERIALS OF CONSTRUCTION	316L STAINLESS STEEL
SWIVEL JOINT SEALS	TFE ENCAPSULATED VITON
SWIVEL LUBE	TOM-PAC BEARING GEL
PRODUCT	45% KOH CAUSTIC
ESTIMATED WEIGHT	450 LBS
MOMENT LOAD AT SPRING	5075 IN-LBS
MOMENT LOAD AT INLET	<20,000 IN-LBS
FLANGE GASKETS	KLINGER SIL C5400
TEST PRESSURE	90 PSI
PRODUCT RETENTION	NO
WEIGHT BY OTHERS	NOT TO EXCEED 15 LBS

4	I	EA	H-01180-M	PILLOW BLOCK BEARING
3	I	EA	790ALH-0025	EZ ADJUST TORSION SPRING BALANCE
2	I	EA	8930FW-G941	3" SWIVEL, ENDURA DSF, SST
1	I	EA	8978FWD-G942	3" SWIVEL ASSY, ENDURA DSF, SST
ITEM	QTY	UM	PART NUMBER	DESCRIPTION

THIS DRAWING IS NOT TO BE SCALED. FOR ADDITIONAL INFORMATION, PLEASE CONTACT OUR ENGINEERING DEPT.

REVISIONS					
LTR	ECN #	DESCRIPTION	DRAWN	APPROVED	DATE
-	-	-	-	-	-



CONFIDENTIAL THIS DOCUMENT CONTAINS INFORMATION WHICH IS PROPRIETARY TO OPW, AND SHOULD BE PROTECTED ACCORDINGLY.

UNLESS OTHERWISE SPECIFIED TOLERANCES ON DIMENSIONS 3 DECIMALS +/- 0.005 2 DECIMALS +/- 0.015 1 DECIMAL +/- 0.030 ANGLES +/- 1/2 DEG MACHINED SURFACES 125 RMS MAX		SIGNATURES		MO-DA-YR	REV:	DESCRIPTION: 3" LOADING ARM, SK19141B1, DOWN FEED LEFT HAND	
DRAWN: BJB		10/20/08		-	PART NUMBER: EB33F-G940		Engineered Systems A ROBERT Resources Company Lebanon, Ohio 45036 USA 3D GENERATED DRAWING
CHECKED:		-		-	SIZE: D	SCALE: 0.075	
MATERIAL:		WEIGHT:		-	SHEET 1 OF 4		