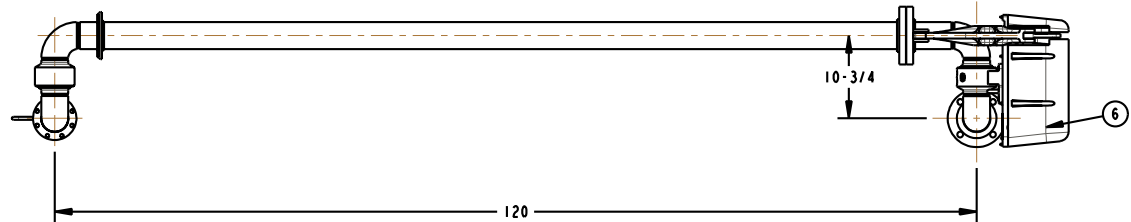


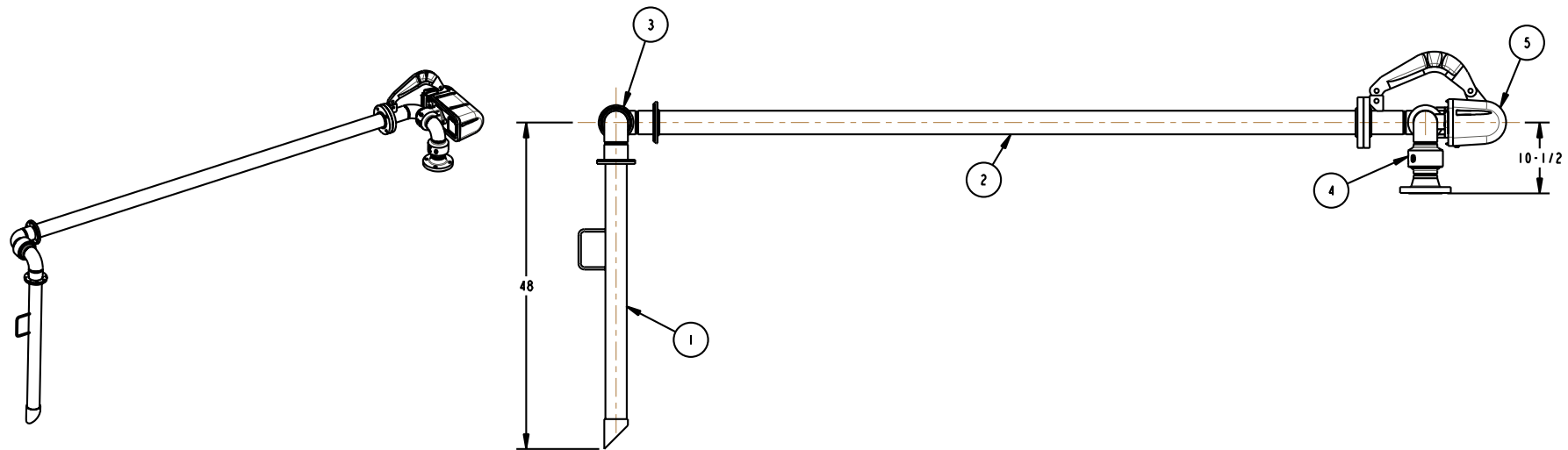
MATERIALS OF CONSTRUCTION	CARBON STEEL
SWIVEL JOINT SEALS	FLUOROCARBON
PRODUCT	ASPHALT
ESTIMATED WEIGHT	290 LBS.
MOMENT LOAD AT SPRING	11,875 IN-LBS.
MOMENT LOAD AT INLET	SAME
FLANGE GASKETS	KLINGER SIL C5400
TEST PRESSURE	90 PSI
PRODUCT RETENTION	NO
WEIGHT BY OTHERS	2.5 LBS/FT (INSULATION)

THIS DRAWING IS NOT TO BE SCALED. FOR ADDITIONAL INFORMATION, PLEASE CONTACT OUR ENGINEERING DEPT.

REVISIONS					
LTR	ECN #	DESCRIPTION	DRAWN	APPROVED	DATE
-	-	-	-	-	-



ITEM	QTY	UM	PART NUMBER	DESCRIPTION
6	1	EA	788L-0040	LOCKDOWN UNIT
5	1	EA	790C-0050	EZ ADJUST TORSION SPRING BALANCE
4	1	EA	3458FSB-0302	3" SWIVEL, CST
3	1	EA	3440FT-0302	3" SWIVEL, CST
2	1	EA	N/A	3" CST PIPE SPOOL
1	1		N/A	3" CST DROP



CONFIDENTIAL THIS DOCUMENT CONTAINS INFORMATION WHICH IS PROPRIETARY TO OPW, AND SHOULD BE PROTECTED ACCORDINGLY.

DESCRIPTION: 3" LOADING ARM, RH

SIGNATURES	MO-DA-YR
DRAWN: JLP	2/18/09
CHECKED: -	-
MATERIAL: CST	WEIGHT: -

REV: -	PART NUMBER:
SIZE: D	J32F-H204
SCALE: 0.085	SHEET 1 OF 2

OPW **Engineered Systems**
 A **ROBERT** Resources Company
 Lebanon, Ohio 45036 USA
 3D GENERATED DRAWING