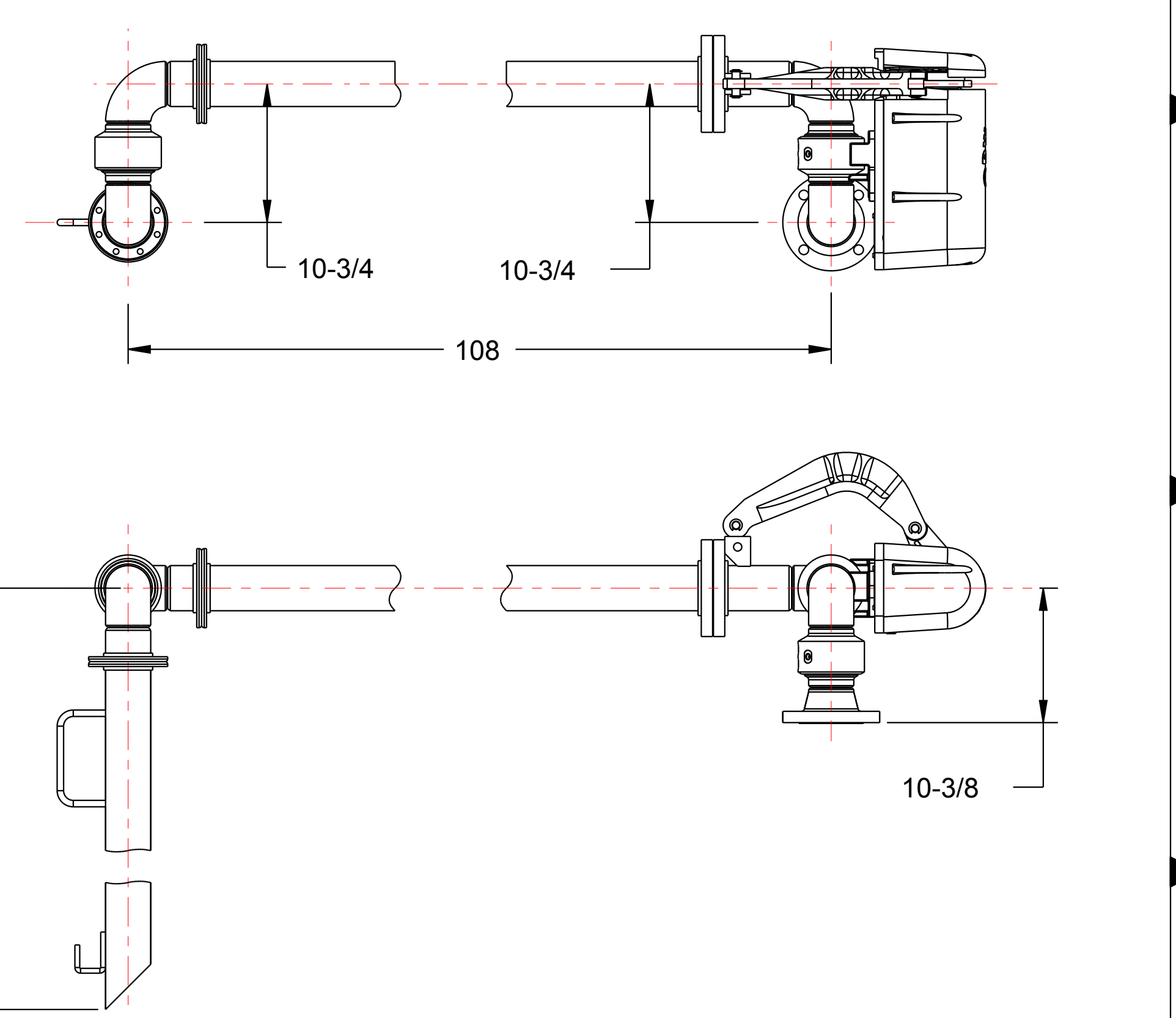
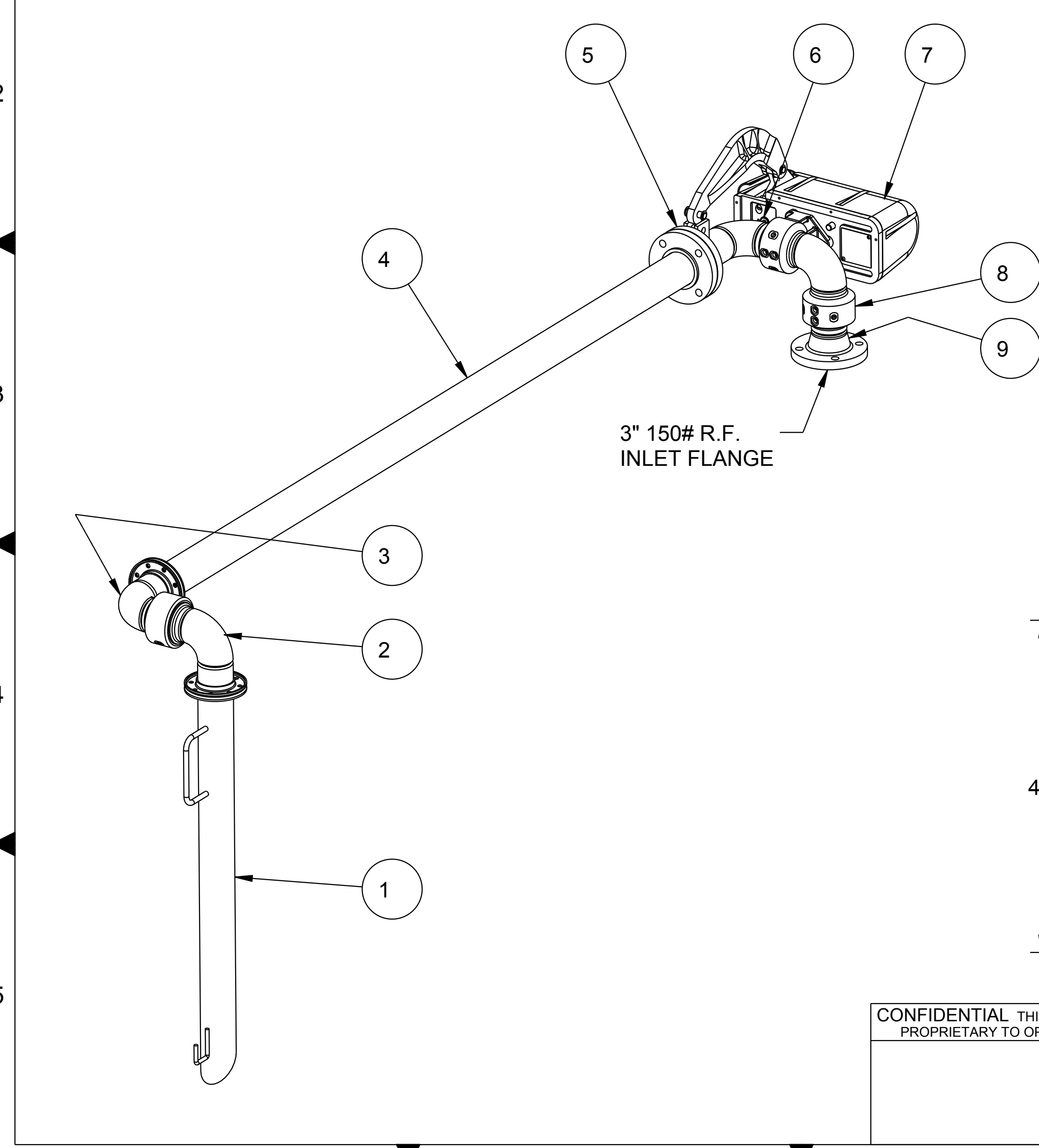


MATERIALS OF CONSTRUCTION	CARBON STEEL
SWIVEL JOINT SEALS	FLUOROCARBON GFLT MAIN & ENVIRONMENTAL
PRODUCT	ASPHALT EMULSIONS
ESTIMATED WEIGHT	300 LBS
MOMENT LOAD AT SPRING	10,200 IN-LBS
FLANGE GASKETS	GARLOCK GYLON
TEST PRESSURE	90 PSI
PRODUCT RETENTION	NO
WEIGHT BY OTHERS	INSULATION & TRACING NOT TO EXCEED 4 LBS/FT

THIS DRAWING IS NOT TO BE SCALED. FOR ADDITIONAL INFORMATION, PLEASE CONTACT OUR ENGINEERING DEPT.				REVISIONS			
ITEM	QTY	UM	PART NUMBER	DESCRIPTION	DRAWN	APPROVED	DATE
14	1	EA	HX99528	PIPE PKG, CST, J32F-J515			
13	1	EA	LADOC-STD	LOADING ARM, NAME TAG AND HARDWARE			
12	3	EA	LSK-3400-0302-HT	LOADER SEAL KIT, 3400, FLUOROCARBON, 3", HI-TEMP			
11	2	EA	FHK-TTMA-03-CS-HT	FLG HARDWARE KIT, TTMA, CS, HI-TEMP, 3"			
10	1	EA	FHK-150-03-CS-HT	FLG HARDWARE KIT, 150LB, CS, HI-TEMP, 3"			
9	1	EA	C-00928	TAIL, 3400, EF, 3"			
8	1	EA	C-00935	BODY ASM, 3400, BT, 3"			
7	1	EA	790C-0050	RIGHT HAND EZ ADJUST 'C' SPRING BALANCE			
6	1	EA	788L-0040	LOCKDOWN UNIT			
5	1	EA	C-20086	TAIL ASM, 3400, DFT-RH-FSB, 3"			
4	1	EA	N/A	3" CST PIPE SPOOL			
3	1	EA	C-20895	BODY ASM, 3400, AFT, 3"			
2	1	EA	C-21028	TAIL ASM, 3400, DFT, 3"			
1	1	EA	N/A	3" CST DROP PIPE SPOOL			



CONFIDENTIAL THIS DOCUMENT CONTAINS INFORMATION WHICH IS PROPRIETARY TO OPW, AND SHOULD BE PROTECTED ACCORDINGLY.			DESCRIPTION: 3" FIXED REACH LOADING ARM, UFRH		
SIGNATURES		MO-DA-YR	REV:	PART NUMBER:	
DRAWN: BJB		2/17/11	-	J32F-J515	
CHECKED: -		-	SIZE:	D	
MATERIAL:		WEIGHT:	SCALE: 0.110 SHEET 1 OF 2		
			3D GENERATED DRAWING		

