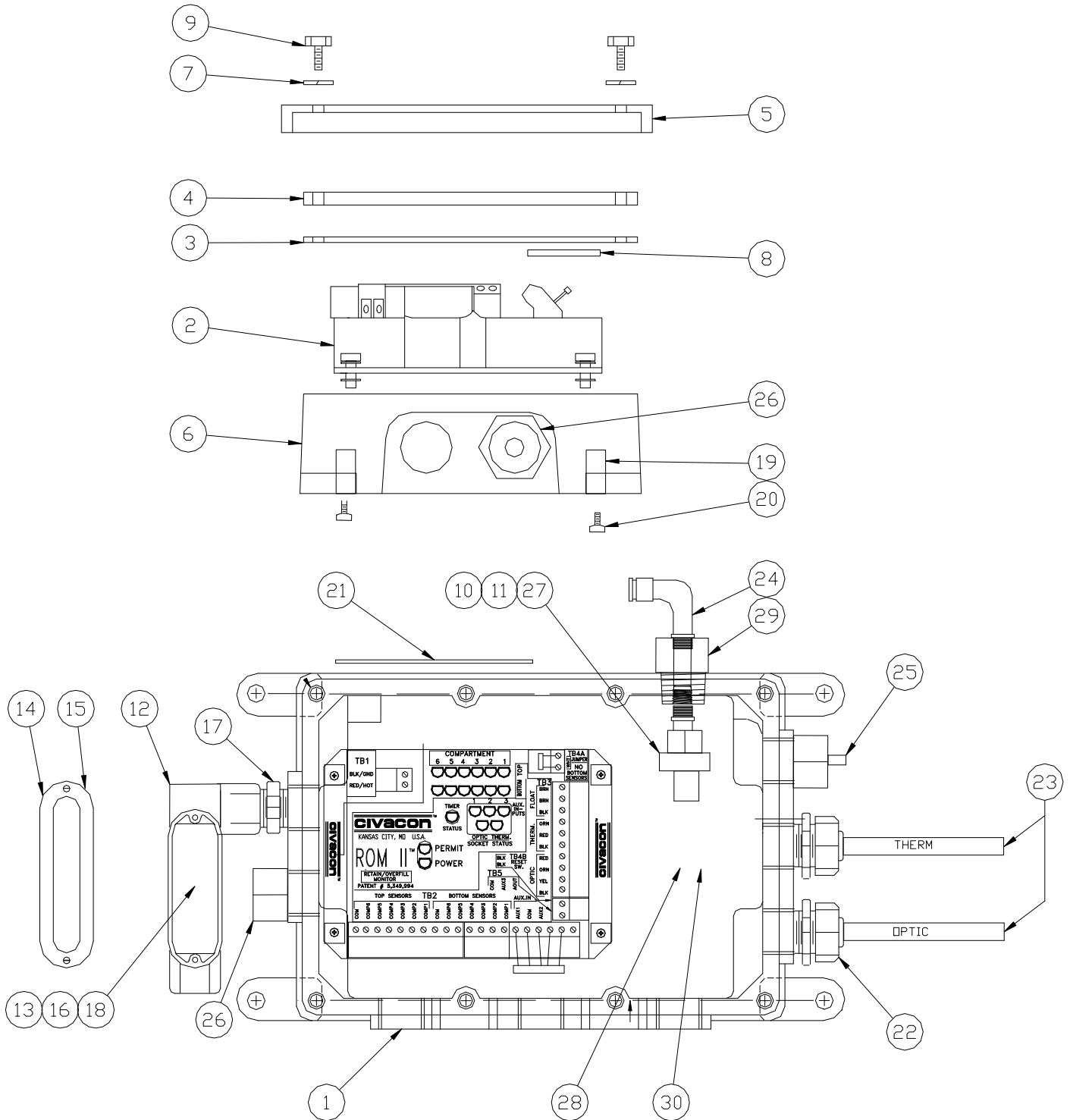
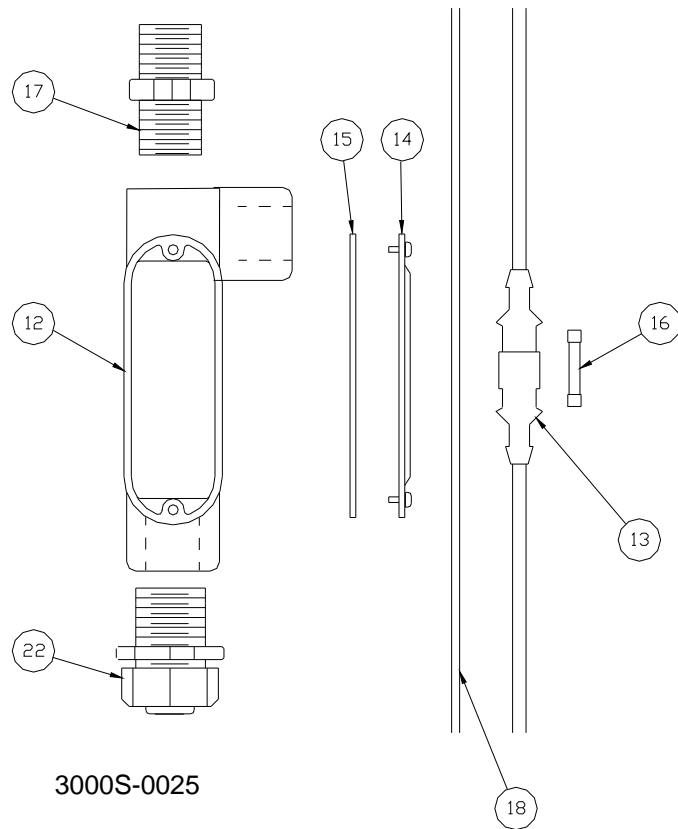
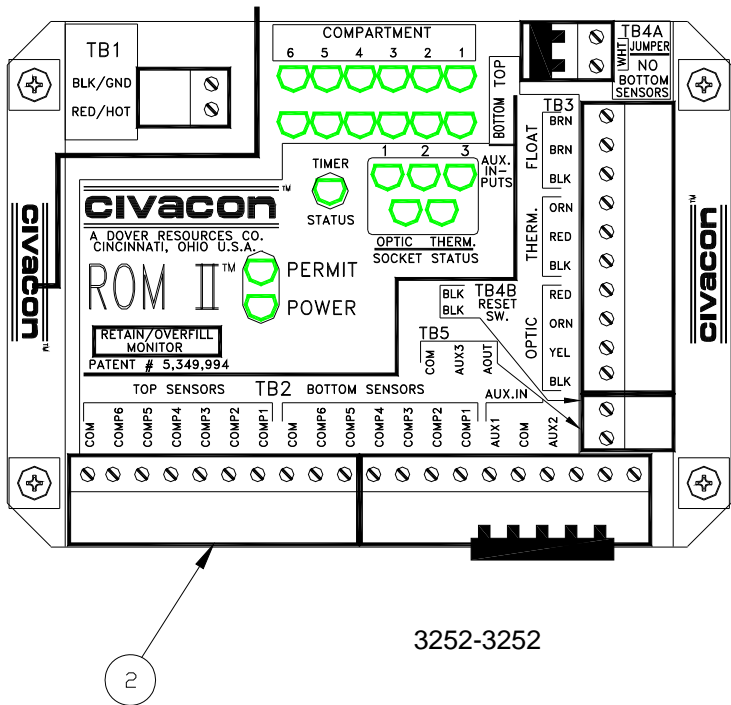




3202-SPECIAL ROM II On Board Monitor



3202-SPECIAL ROM II On Board Monitor



| ITEM | PART NUMBER | DESCRIPTION | QTY. |
|------|----------------------|--------------------------|------|
| 1 | H51916M | BLACK PLUG, 1/2" NPT | 2 |
| 2 | C51423 ¹ | ASSY. MODULE | 1 |
| 3 | C40155M | GASKET | 1 |
| 4 | C52403M | WINDOW | 1 |
| 5 | D40091APC | COVER | 1 |
| 6 | D52309 | BASE | 1 |
| 7 | H50086M | LOCK WASHER, 1/4" | 8 |
| 8 | C51503M | LABEL, TECH ASSISTANCE | 1 |
| 9 | 9541 | SCREW, 1/4-20 1" | 8 |
| 10 | 97792 | WIRE, #22 GA. BLACK | .5' |
| 11 | 97793 | WIRE, #22 GA. YELLOW | .5' |
| 12 | H52445M ² | JUNCTION BOX, "L" SHAPE | 1 |
| 13 | H50880M ² | FUSE HOLDER | 1 |
| 14 | H50453M ² | JUNCTION BOX, COVER | 1 |
| 15 | H50454M ² | JUNCTION BOX, GASKET | 1 |
| 16 | H50692M ² | FUSE, .25A 3AG TYPE 250V | 1 |
| 17 | H50654M ² | BRASS NIPPLE | 1 |

| ITEM | PART NUMBER | DESCRIPTION | QTY. |
|------|----------------------|----------------------|------|
| 18 | 97784 ² | WIRE, #18 GA. BLACK | 1' |
| 19 | H50740M | STANDOFF | 2 |
| 20 | H52438M | SCREW, #6-32 3/8" | 2 |
| 21 | H51425M | NAME PLATE | 1 |
| 22 | H50221M ² | STRAIN RELIEF | 4 |
| 23 | 97701 | WIRE, #20 GA. BLACK | 20' |
| 24 | 9054 | ELBOW MALE, 1/8" NPT | 1 |
| 25 | GS1000 | GROUND BOLT | 1 |
| 26 | H50452 | RESET SWITCH | 1 |
| 27 | H52416M | PRESSURE SWITCH | 1 |
| 28 | H50429M | SPLICE END | 1 |
| 29 | H52421RAB | ADAPTOR | 1 |
| 30 | H50287M | CABLE TIE | 2 |

| REPAIR KITS | |
|-------------|------------------------|
| 3252-3252 | REPL. ON BOARD MONITOR |
| 3000S-0025 | REPL. JUNCTION BOX KIT |

1 - Included in 3252-3252, 2 - Included in 3000S-0025



PHONE: (816) 741-6600 • (888) 526-5657 • Fax: (816) 741-1061
4304 Mattox Road • Kansas City, MO 64150 • www.civacon.com