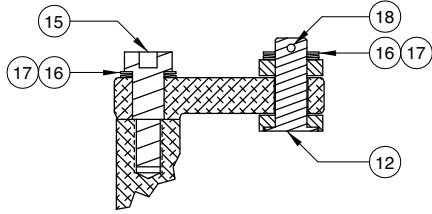




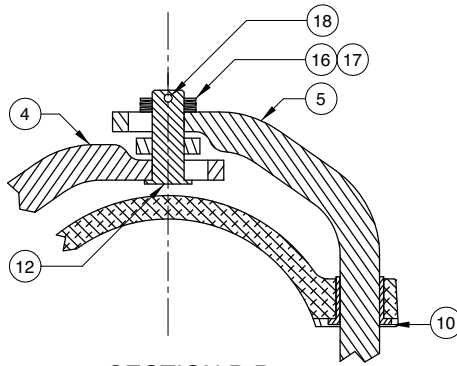
60TTC 4" Product Delivery Elbow

Replacement Parts

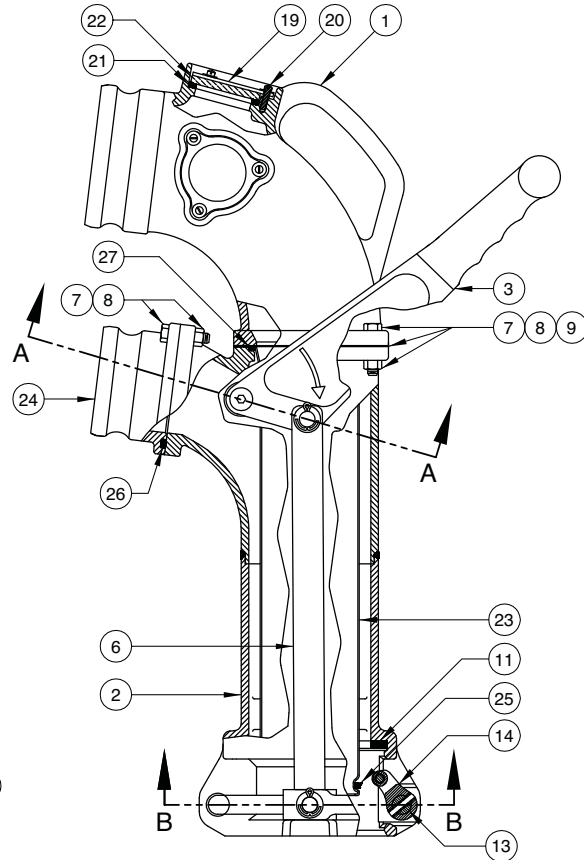
Rev. 2, May 2008



SECTION A-A



SECTION B-B



ITEM	PART NUMBER	DESCRIPTION	QTY.
1	E00266A	UPPER BODY ⁴	1
2	C10012	LOWER BODY	1
3	C10125M	HANDLE ³	1
4	C10143M	DRIVE STEM (INNER) ³	1
5	C10144M	DRIVE STEM (OUTER) ³	1
6	C10124M	ELBOW LINK (UPPER BODY) ³	1
7	H03114M	HEX CAP SCREW	8
8	H06151M	HEX NUT	8
9	H10039M	GASKET (NEOPRENE FIBER)	1
10	H10090M	FLANGE BEARING	4
11	H04137M	SEAT RING (BUNA)	1
12	H20373M	PIN (CLEVIS) ³	2
13	H20476M	PIN (SPRING) ^{2,3}	2
14	H20495M	YOKE ASSEMBLY ²	2
15	H51427M	SHOULDER SCREW ³	1
16	H03866M	FLAT WASHER ³	6
17	H10088M	SPRING WASHER ³	4
18	H51787M	COTTER PIN ³	2

ITEM	PART NUMBER	DESCRIPTION	QTY.
19	H04135M	RETAINING PLATE ^{1,4}	3
20	H52471M	SCREW ^{1,4}	9
21	H20010M	GASKET (BUNA) ^{1,4}	3
22	H20583M	WINDOW ^{1,4}	3
23	C03355M	TUBE	1
24	C10049M	VAPOR ADAPTOR	1
25	H05471M	LIP SEAL (VITON)	1
26	H20191M	O-RING (BUNA)	1
27	H10262M	GASKET (BUNA)	1

REPAIR KITS		
PART NUMBER	DESCRIPTION	QTY.
E00266	UPPER BODY ASSY (W / WINDOWS)	N/A
60WRK	WINDOW REPLACEMENT KIT	N/A
60TTK	YOKE ASSEMBLY REPLACEMENT KIT	N/A
60CRK	HANDLE/LINKAGE REPLACEMENT KIT	N/A

1 - Included in 60WRK, 2 - Included in 60TTK, 3 - Included in 60CRK, 4 - Included in E00266