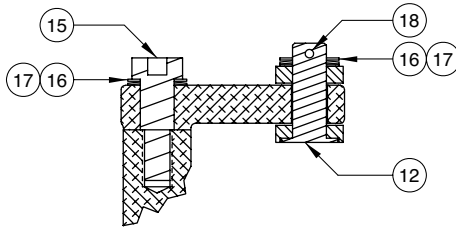




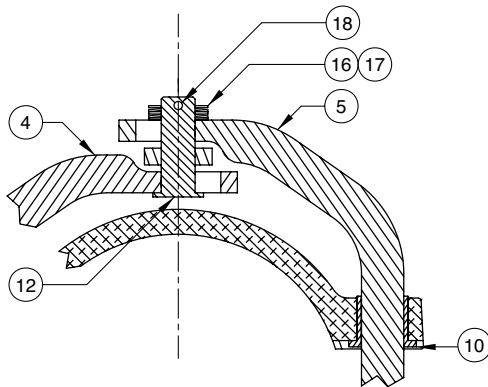
60TTF 4" Product Delivery Elbow

Replacement Parts

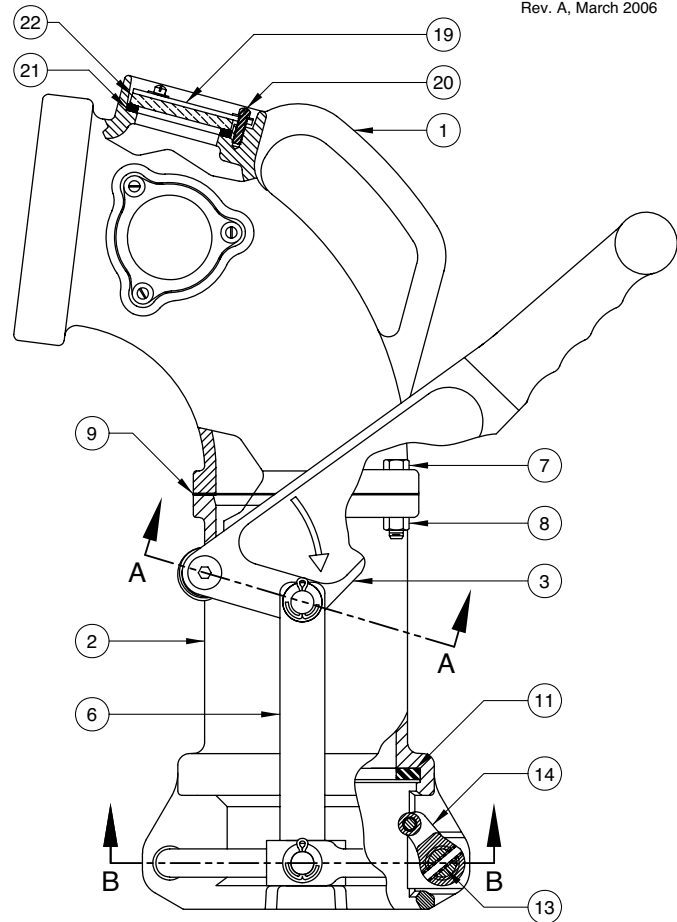
Rev. A, March 2006



SECTION A-A



SECTION B-B



| ITEM | PART NUMBER | DESCRIPTION | QTY. |
|------|-------------|--------------------------------------|------|
| 1 | E00269A | UPPER BODY ⁴ | 1 |
| 2 | E00259A | LOWER BODY | 1 |
| 3 | C10125M | HANDLE ³ | 1 |
| 4 | C10143M | DRIVE STEM (INNER) ³ | 1 |
| 5 | C10144M | DRIVE STEM (OUTER) ³ | 1 |
| 6 | C10146M | ELBOW LINK (UPPER BODY) ³ | 1 |
| 7 | H03114M | HEX CAP SCREW | 4 |
| 8 | H06151M | HEX NUT | 4 |
| 9 | H10039M | GASKET (NEOPRENE FIBER) | 1 |
| 10 | H10090M | FLANGE BEARING | 4 |
| 11 | H04137M | SEAT RING (BUNA) | 1 |
| 12 | H20373M | PIN (CLEVIS) ³ | 2 |
| 13 | H20476M | PIN (SPRING) ^{2,3} | 2 |
| 14 | H20495M | YOKE ASSEMBLY ² | 2 |
| 15 | H51427M | SHOULDER SCREW ³ | 1 |

| ITEM | PART NUMBER | DESCRIPTION | QTY. |
|------|-------------|--------------------------------|------|
| 16 | H03866M | FLAT WASHER ³ | 6 |
| 17 | H10088M | SPRING WASHER ³ | 4 |
| 18 | H51787M | COTTER PIN ³ | 2 |
| 19 | H04135M | RETAINING PLATE ^{1,4} | 3 |
| 20 | H52471M | SCREW ^{1,4} | 9 |
| 21 | H20010M | GASKET (BUNA) ^{1,4} | 3 |
| 22 | H20583M | WINDOW ^{1,4} | 3 |

| REPAIR KITS | | |
|-------------|--------------------------------|------|
| PART NUMBER | DESCRIPTION | QTY. |
| E00269 | UPPER BODY ASSY (W / WINDOWS) | N/A |
| 60WRK | WINDOW REPLACEMENT KIT | N/A |
| 60TTK | YOKE ASSEMBLY REPLACEMENT KIT | N/A |
| 60TRK | HANDLE/LINKAGE REPLACEMENT KIT | N/A |

1 - Included in 60WRK, 2 - Included in 60TTK, 3 - Included in 60TRK, 4 - Included in E00264