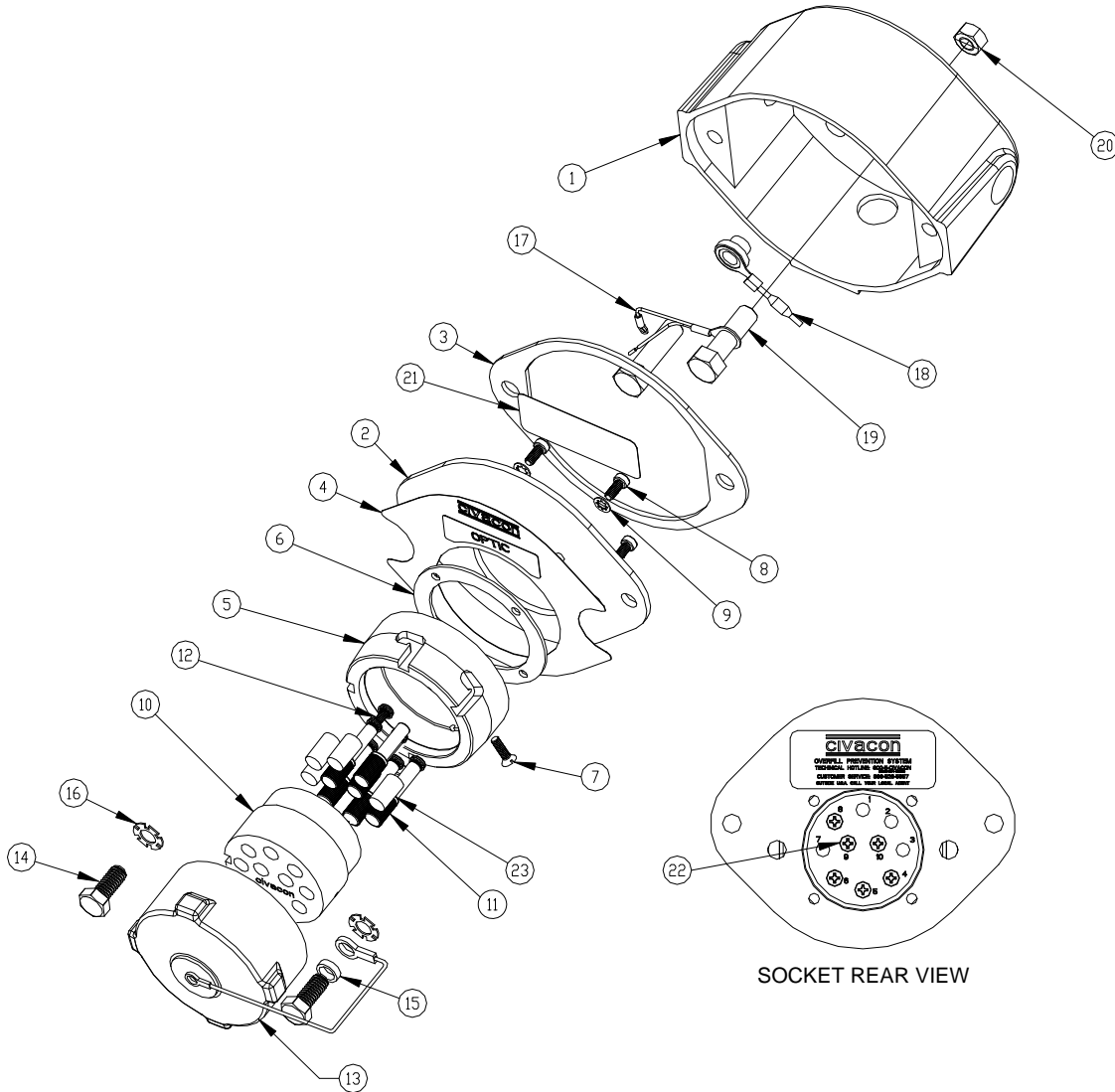




## 4102-4102 Optic Socket, 3 J-Slot



PARTS BREAK DOWN

ITEM	PART NUMBER	DESCRIPTION	QTY.
1	D40100A	BODY	1
2	H52962M	PLATE	1
3	H50064M	GASKET	1
4	H52916M-BLUE	LABEL, OPTIC SOCKET	1
5	C40151A-3	"J" SLOT SOCKET - 3	1
6	H52479M	GASKET	1
7	H50074M	SCREW, #6-32 1/2"	1
8	H50073M	SCREW, #8-32 3/8"	4
9	H50401M-02	WASHER, #8	4
10	C40011M	CONTACT BLOCK	1
11	H50616M	CONTACT BUTTON	6
12	H50622	SCREW KIT	1

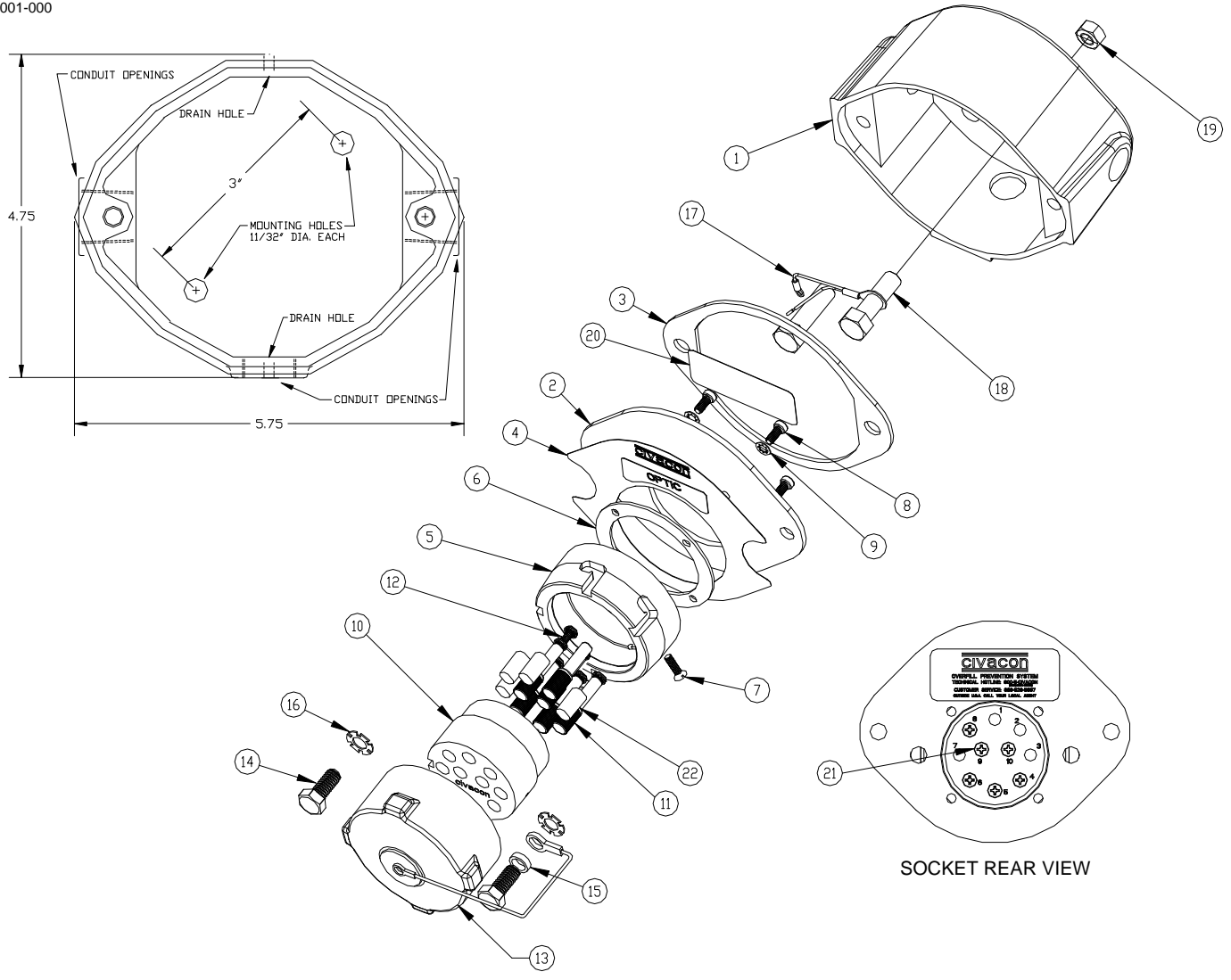
ITEM	PART NUMBER	DESCRIPTION	QTY.
13	4150-4150	DUST CAP, BLUE	1
14	H50108M	SCREW, 5/16-18 3/4"	2
15	H50291M	SPACER	1
16	H50250M	WASHER, 5/16 SS	2
17	H50618M	GROUND WIRE	1
18	GS1001	SAF-T GROUND WIRE	1
19	6112	SCREW, 5/16-18 1 1/4"	2
20	H50646M	NUT, 5/16-18	2
21	C51503M	LABEL, TECH ASSISTANCE	1
22	H50623M-2	SCREW, #6-32 3/8"	1
23	H50617M	INSERT	4



## 4103-4103 Optic Socket, 3 J-Slot

PARTS BREAK DOWN

4103-000-001-000

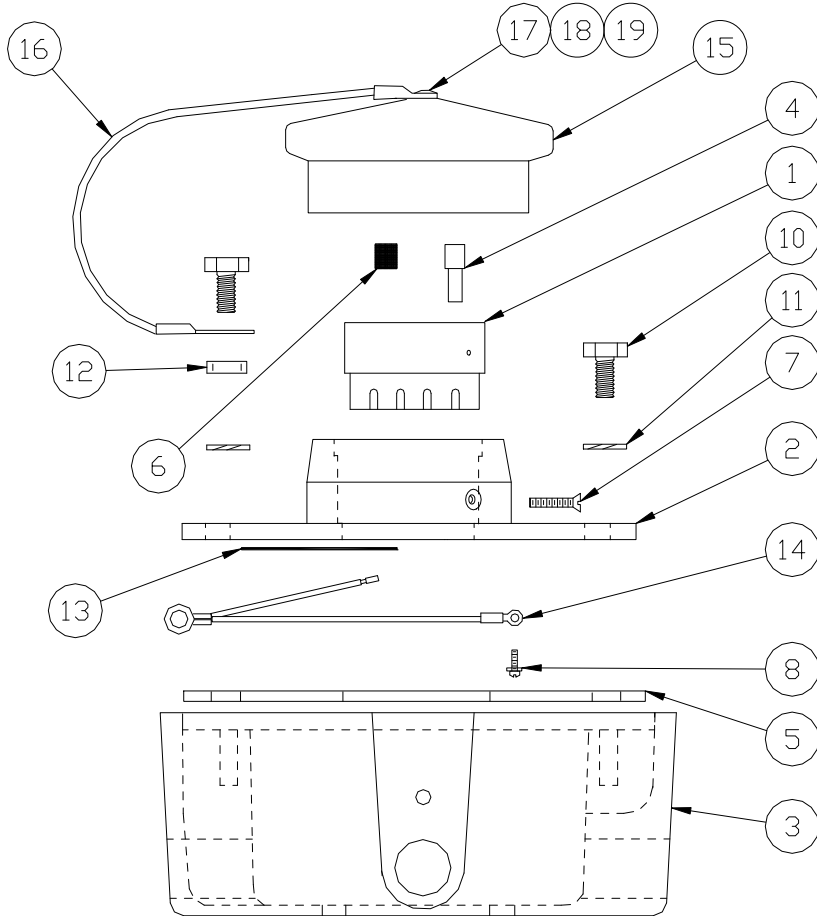


ITEM	PART NUMBER	DESCRIPTION	QTY.
1	D40100A	BODY	1
2	H52962M	PLATE	1
3	H50064M	GASKET	1
4	H52916M-BLUE	LABEL, OPTIC SOCKET	1
5	C40151A-3	"J" SLOT SOCKET - 3	1
6	H52479M	GASKET	1
7	H50074M	SCREW, #6-32 1/2"	1
8	H50073M	SCREW, #8-32 3/8"	4
9	H50401M-02	WASHER, #8	4
10	C40011M	CONTACT BLOCK	1
11	H50616M	CONTACT BUTTON	6
12	H50622	SCREW KIT	1

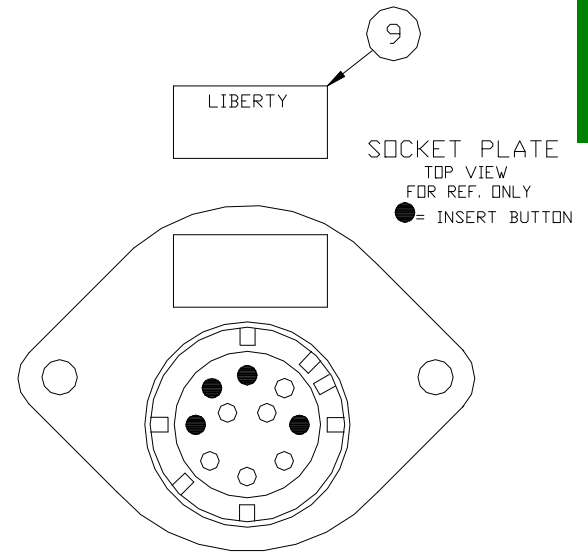
ITEM	PART NUMBER	DESCRIPTION	QTY.
13	4150-4150	DUST CAP, BLUE	1
14	H50108M	SCREW, 5/16-18 3/4"	2
15	H50291M	SPACER	1
16	H50250M	WASHER, 5/16 SS	2
17	H50618M	CHASSIS WIRE	1
18	6112	SCREW, 5/16-18 1 1/4"	2
19	H50646M	NUT, 5/16-18	2
20	C51503M	LABEL, TECH ASSISTANCE	1
21	H50623M-2	SCREW, #6-32 3/8"	1
22	H50617M	INSERT	4



## 4200-4200 Optic Pattern w/ Thermistor Face Plate



**OBSOLETE**  
**See Part Number 4201-4201**  
**Replacement Parts Available**



PARTS BREAK DOWN

ITEM	PART NUMBER	DESCRIPTION	QTY.
1	C40011M <sup>2</sup>	CONTACT BLOCK	1
2	D40104AH <sup>2</sup>	FACEPLATE, THERMISTOR	1
3	D40100A	BODY	1
4	H50616M <sup>2</sup>	CONTACT, BUTTON	6
5	H50064M <sup>2</sup>	GASKET	1
6	H50617M <sup>2</sup>	INSERT	4
7	H50074M <sup>2</sup>	SCREW, #6-32 1/2"	1
8	H50623M-2 <sup>2</sup>	SCREW, #6-32 3/8"	1
9	H50148M <sup>2</sup>	NAME PLATE	1
10	H50108M <sup>2</sup>	SCREW, 5/16-18 3/4"	2
11	H50250M <sup>2</sup>	WASHER, 5/16 SS	2
12	H50291M <sup>2</sup>	SPACER	1

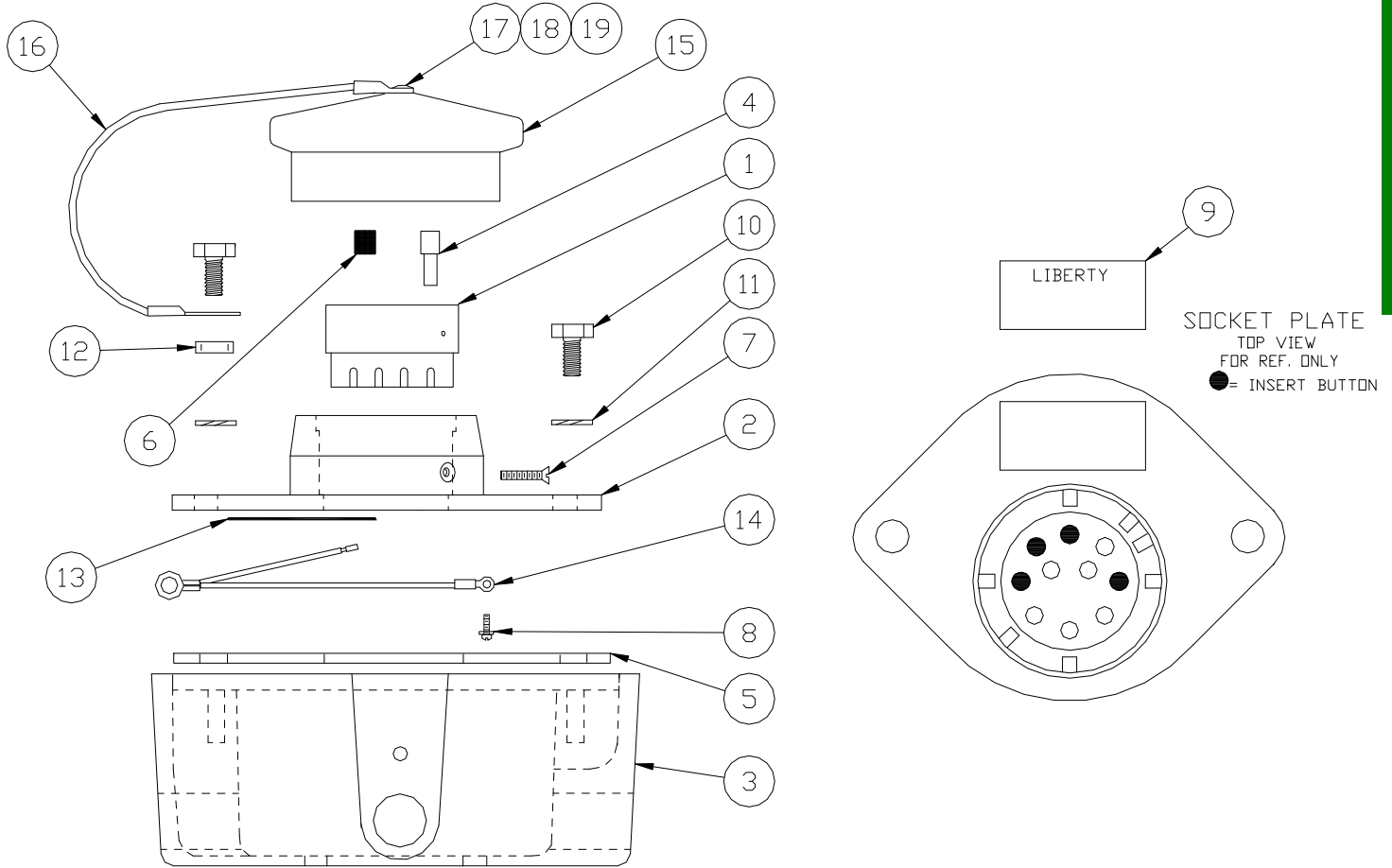
ITEM	PART NUMBER	DESCRIPTION	QTY.
13	C51503M <sup>2</sup>	LABEL, TECH ASSISTANCE	1
14	H50618M <sup>2</sup>	GROUND WIRE	1
15	H50025M <sup>1,2</sup>	DUST CAP, BLUE	1
16	H50288M <sup>1,2</sup>	CABLE	1
17	H50290M <sup>1,2</sup>	RIVET	1
18	H50292M <sup>1,2</sup>	WASHER	1
19	H50293M <sup>1,2</sup>	LOGO WASHER	1

REPAIR KITS	
4150-4150	DUST CAP
4210-4210	FACE PLATE KIT

1 - Included in 4150-4150, 2 - Included in 4210-4210



## 4201-4201 Optic Socket, 4 J-Slot



ITEM	PART NUMBER	DESCRIPTION	QTY.
1	C40011M <sup>2</sup>	CONTACT BLOCK	1
2	D40104AH <sup>2</sup>	FACEPLATE, THERMISTOR	1
3	D40100A	BODY	1
4	H50616M <sup>2</sup>	CONTACT, BUTTON	6
5	H50064M <sup>2</sup>	GASKET	1
6	H50617M <sup>2</sup>	INSERT	4
7	H50074M <sup>2</sup>	SCREW, #6-32 1/2"	1
8	H50623M-2 <sup>2</sup>	SCREW, #6-32 3/8"	1
9	H50757M <sup>2</sup>	NAME PLATE	1
10	H50108M <sup>2</sup>	SCREW, 5/16-18 3/4"	2
11	H50250M <sup>2</sup>	WASHER, 5/16 SS	2
12	H50291M <sup>2</sup>	SPACER	1

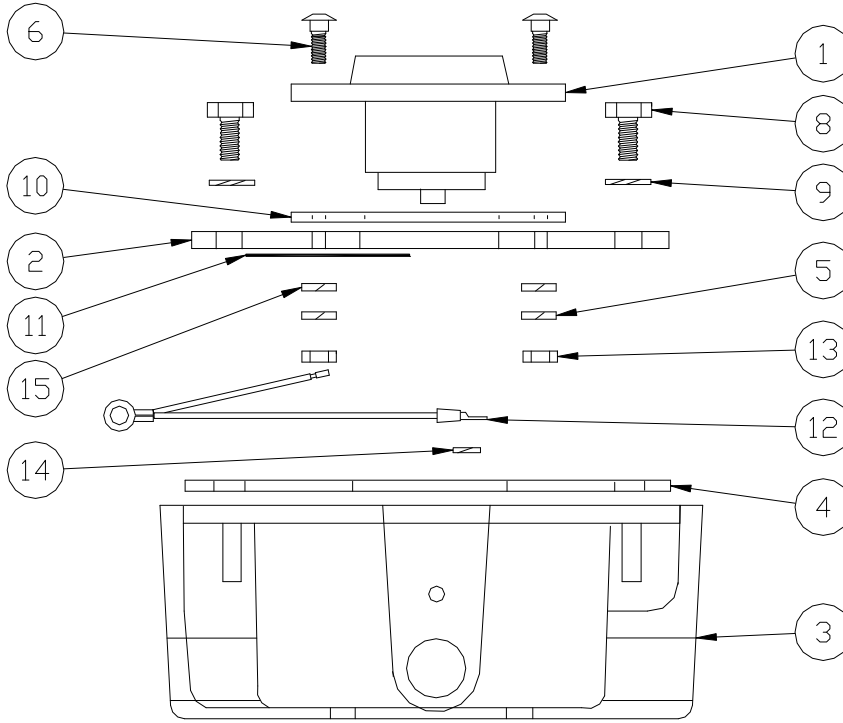
ITEM	PART NUMBER	DESCRIPTION	QTY.
13	C51503M <sup>2</sup>	LABEL, TECH ASSISTANCE	1
14	H50618M <sup>2</sup>	GROUND WIRE	1
15	H50025M <sup>1,2</sup>	DUST CAP, BLUE	1
16	H50288M <sup>1,2</sup>	CABLE	1
17	H50290M <sup>1,2</sup>	RIVET	1
18	H50292M <sup>1,2</sup>	WASHER	1
19	H50293M <sup>1,2</sup>	LOGO WASHER	1

REPAIR KITS	
4150-4150	DUST CAP
4210-4210	FACE PLATE KIT

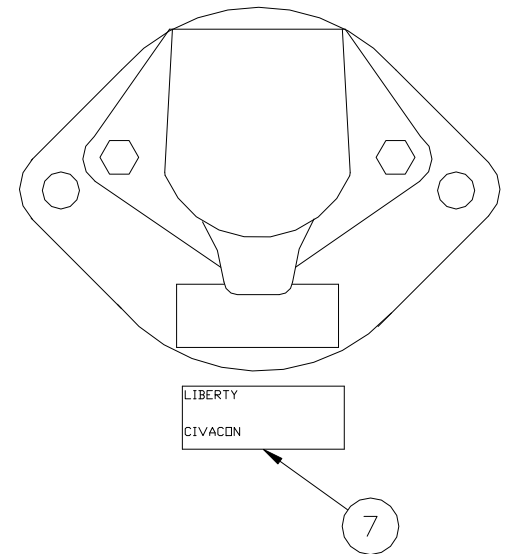
1 - Included in 4150-4150, 2 - Included in 4210-4210



## 4300-4300 Socket, J560 Pattern for Optic Output



SOCKET PLATE  
TOP VIEW  
FOR REF. ONLY



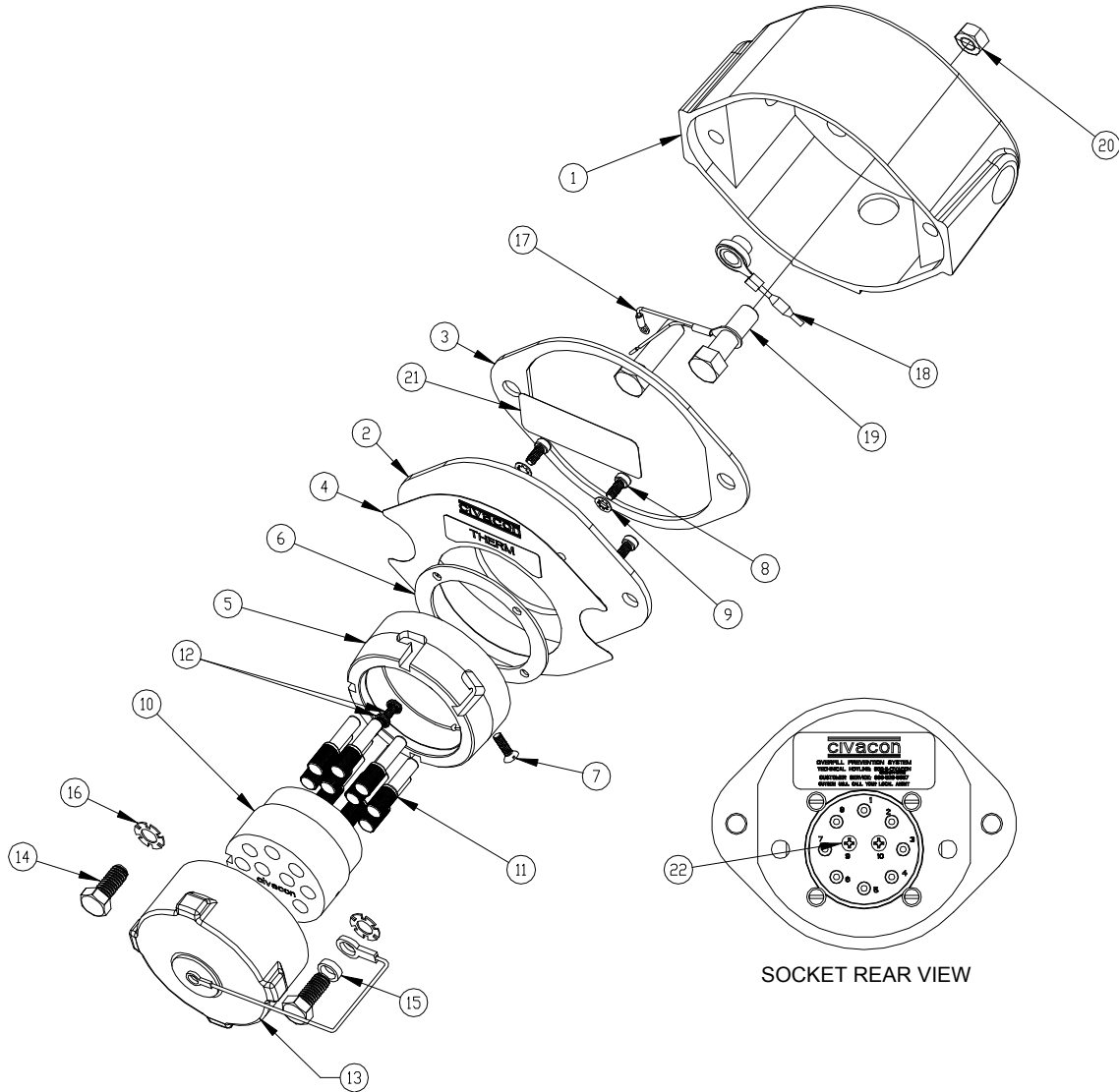
ITEM	PART NUMBER	DESCRIPTION	QTY.
1	H50045M	SOCKET, 7 WAY	1
2	H50044M	PLATE, J560 ADAPTOR	1
3	D40100A	BODY	1
4	H50064M	GASKET	1
5	H52413M	WASHER, 1/4"	2
6	H52414M	SCREW, 5/16-18 1"	2
7	H50149M	NAME PLATE	1
8	H50108M	SCREW, 5/16-18 3/4"	2

ITEM	PART NUMBER	DESCRIPTION	QTY.
9	H50250M	WASHER, 5/16 SS	2
10	H50240M	GASKET	1
11	C51503M	LABEL, TECH ASSISTANCE	1
12	H50618M	GROUND WIRE	1
13	H52415M	NUT, 5/16-18	2
14	H50100M	WASHER, #6 SS	1
15	H50088M	O-RING, BUNA-N	2



## 4402-4402 Thermistor Socket, 4 J-Slot

PARTS BREAK DOWN

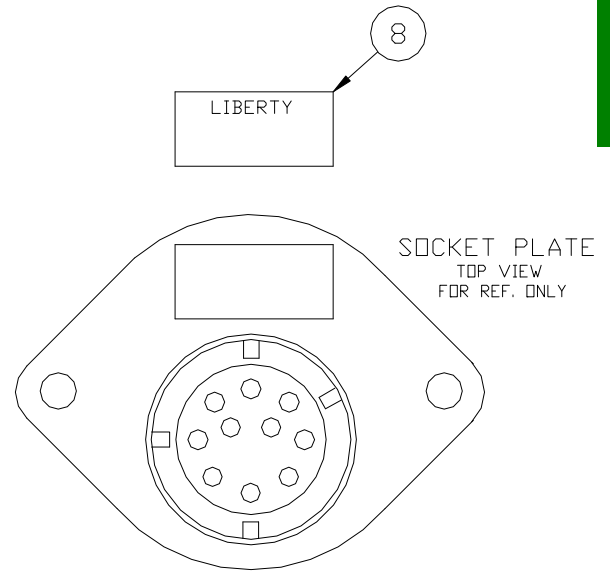
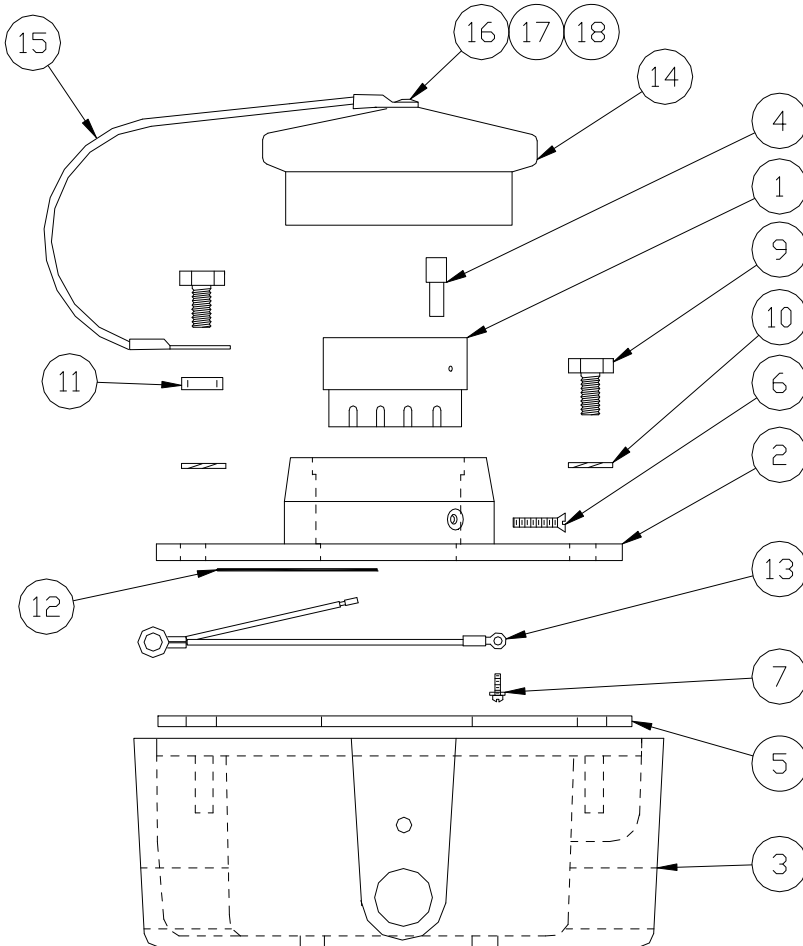


ITEM	PART NUMBER	DESCRIPTION	QTY.
1	D40100A	BODY	1
2	H52962M	PLATE	1
3	H50064M	GASKET	1
4	H52916M-GREEN	LABEL, THERM. SOCKET	1
5	C40151A-4	"J" SLOT SOCKET - 4	1
6	H52479M	GASKET	1
7	H50074M	SCREW, #6-32 1/2"	1
8	H50073M	SCREW, #8-32 3/8"	4
9	H50401M-02	WASHER, #8	4
10	C40011M	CONTACT BLOCK	1
11	H50616M	CONTACT BUTTON	10

ITEM	PART NUMBER	DESCRIPTION	QTY.
12	H50622	SCREW KIT	1
13	4450-4450	DUST CAP, GREEN	1
14	H50108M	SCREW, 5/16-18 3/4"	2
15	H50291M	SPACER	1
16	H50250M	WASHER, 5/16 SS	2
17	H50618M	GROUND WIRE	1
18	GS1001	SAF-T GROUND WIRE	1
19	6112	SCREW, 5/16-18 1 1/4"	2
20	H50646M	NUT, 5/16-18	2
21	C51503M	LABEL, TECH ASSISTANCE	1
22	H50623M-2	SCREW, #6-32 3/8"	1



## 4401-4401 API Pattern for Thermistor Output



PARTS BREAK DOWN

ITEM	PART NUMBER	DESCRIPTION	QTY.
1	C40011M <sup>2</sup>	CONTACT BLOCK	1
2	D40104AH <sup>2</sup>	FACEPLATE, THERMISTOR	1
3	D40100A	BODY	1
4	H50616M <sup>2</sup>	CONTACT, BUTTON	10
5	H50064M <sup>2</sup>	GASKET	1
6	H50074M <sup>2</sup>	SCREW, #6-32 1/2"	1
7	H50623M-2 <sup>2</sup>	SCREW, #6-32 3/8"	1
8	H50417M <sup>2</sup>	NAME PLATE	1
9	H50108M <sup>2</sup>	SCREW, 5/16-18 3/4"	2
10	H50250M <sup>2</sup>	WASHER, 5/16 SS	2
11	H50291M <sup>2</sup>	SPACER	1

ITEM	PART NUMBER	DESCRIPTION	QTY.
12	C51503M <sup>2</sup>	LABEL, TECH ASSISTANCE	1
13	H50618M <sup>2</sup>	GROUND WIRE	1
14	H50065M <sup>1,2</sup>	DUST CAP, GREEN	1
15	H50288M <sup>1,2</sup>	CABLE	1
16	H50290M <sup>1,2</sup>	RIVET	1
17	H50292M <sup>1,2</sup>	WASHER	1
18	H50293M <sup>1,2</sup>	LOGO WASHER	1

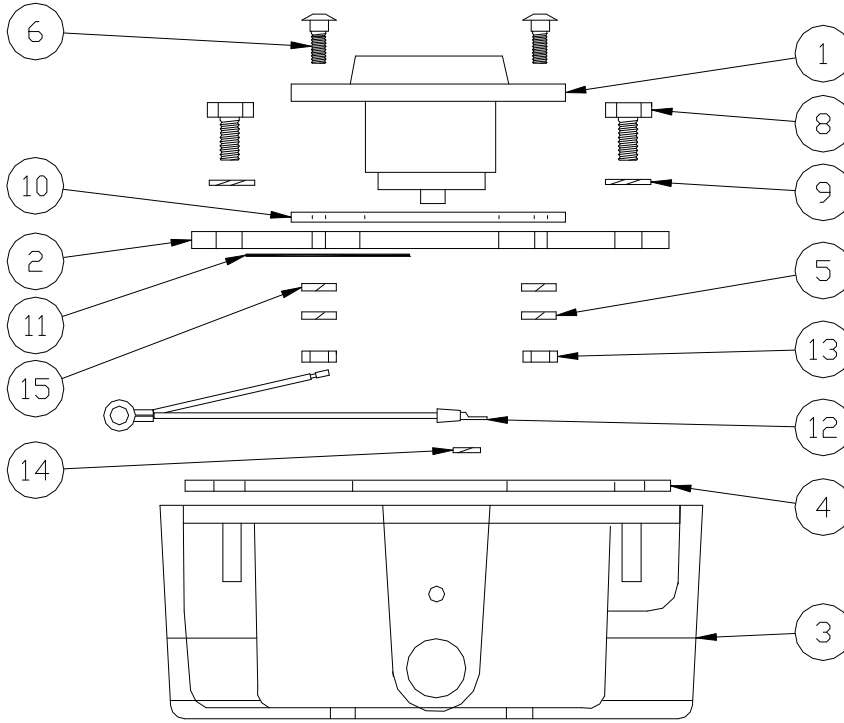
REPAIR KITS	
4450-4450	DUST CAP
4411-4411	FACE PLATE KIT

1 - Included in 4450-4450, 2 - Included in 4411-4411

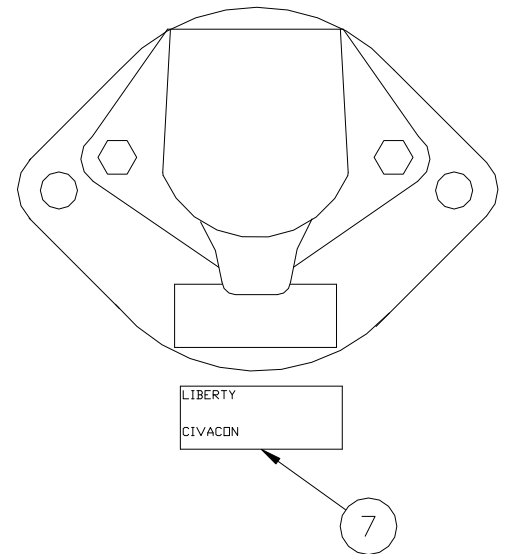


# 4500-4500 Socket, J560 Pattern for Thermistor Output

PARTS BREAK DOWN



SOCKET PLATE  
TOP VIEW  
FOR REF. ONLY



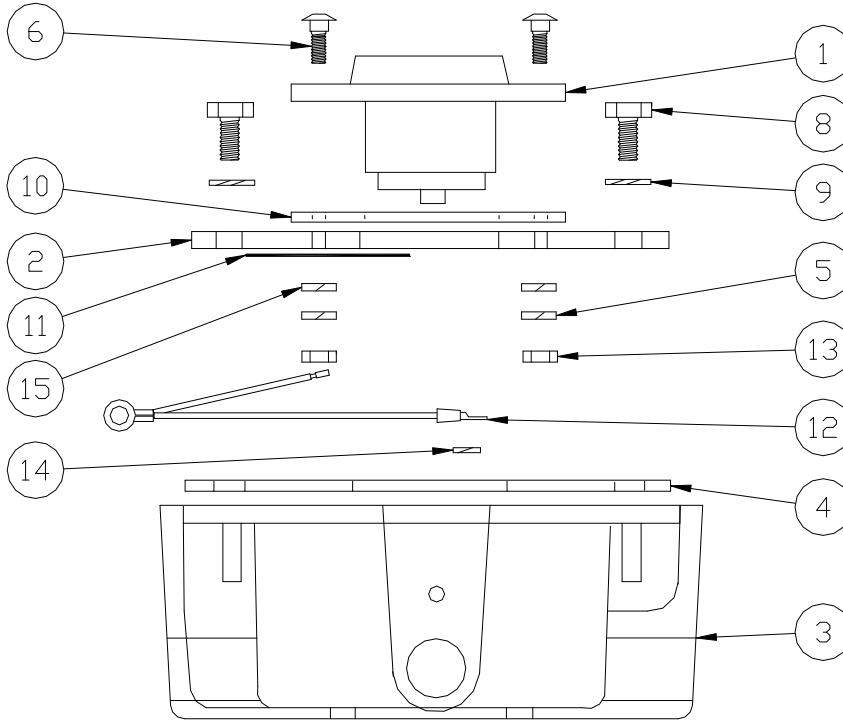
ITEM	PART NUMBER	DESCRIPTION	QTY.
1	H50045M	SOCKET, 7 WAY	1
2	H50044M	PLATE, J560 ADAPTOR	1
3	D40100A	BODY	1
4	H50064M	GASKET	1
5	H52413M	WASHER, 1/4"	2
6	H52414M	SCREW, 5/16-18 1"	2
7	H50149M	NAME PLATE	1
8	H50108M	SCREW, 5/16-18 3/4"	2

ITEM	PART NUMBER	DESCRIPTION	QTY.
9	H50250M	WASHER, 5/16 SS	2
10	H50240M	GASKET	1
11	C51503M	LABEL, TECH ASSISTANCE	1
12	H50618M	GROUND WIRE	1
13	H52415M	NUT, 5/16-18	2
14	H50100M	WASHER, #6 SS	1
15	H50088M	O-RING, BUNA-N	2

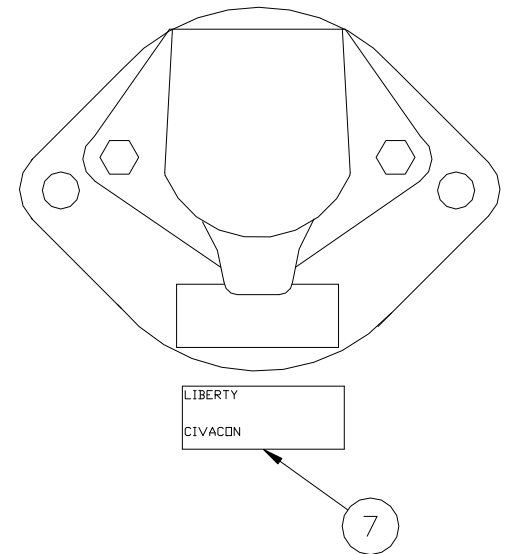




## 4600-4600 Socket, J560 Pattern for Float Output



SOCKET PLATE  
TOP VIEW  
FOR REF. ONLY



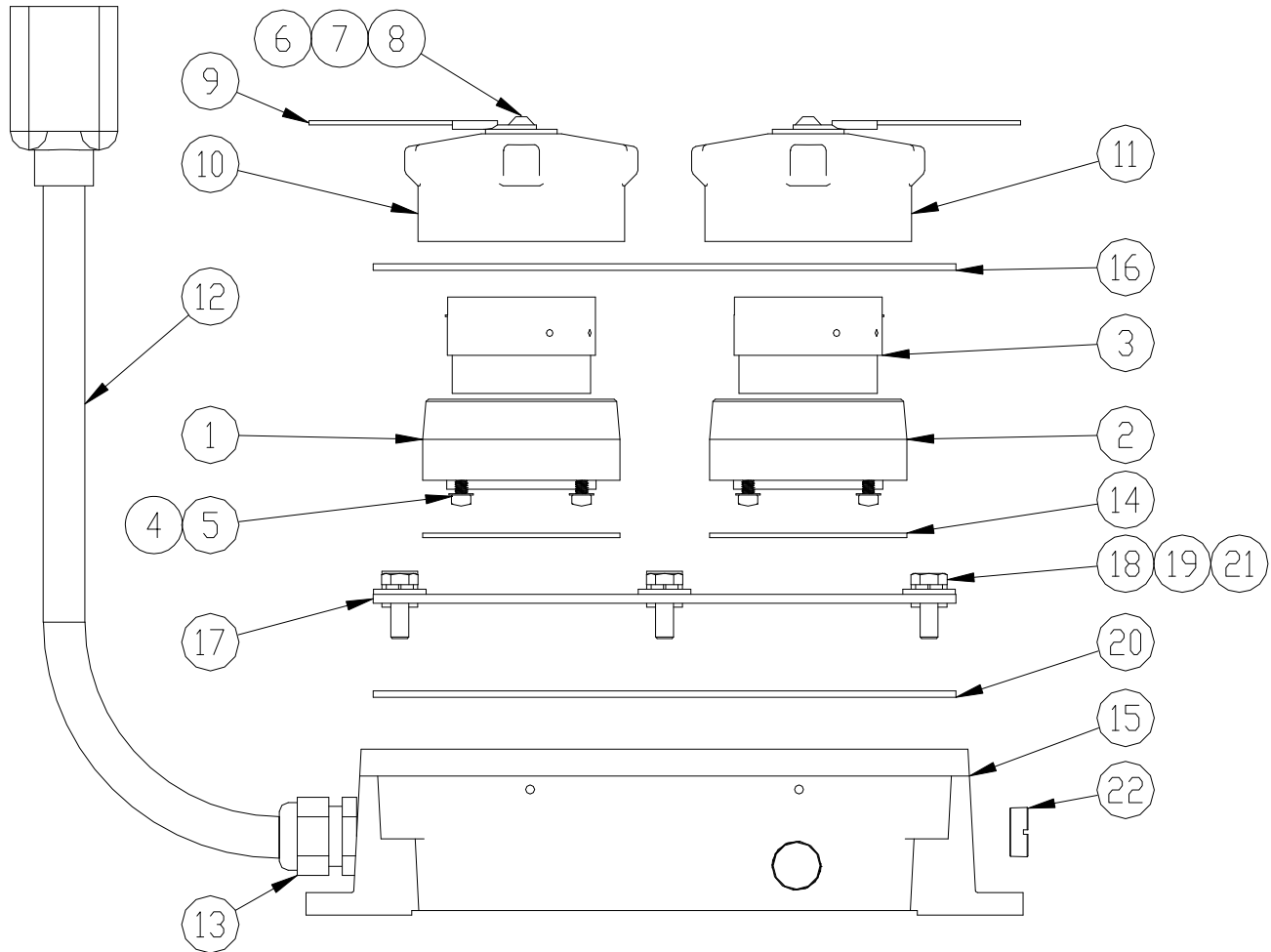
ITEM	PART NUMBER	DESCRIPTION	QTY.
1	H50045M	SOCKET, 7 WAY	1
2	H50044M	PLATE, J560 ADAPTOR	1
3	D40100A	BODY	1
4	H50064M	GASKET	1
5	H52413M	WASHER, 1/4"	2
6	H52414M	SCREW, 5/16-18 1"	2
7	H50150M	NAME PLATE	1
8	H50108M	SCREW, 5/16-18 3/4"	2

ITEM	PART NUMBER	DESCRIPTION	QTY.
9	H50250M	WASHER, 5/16 SS	2
10	H50240M	GASKET	1
11	C51503M	LABEL, TECH ASSISTANCE	1
12	H50618M	GROUND WIRE	1
13	H52415M	NUT, 5/16-18	2
14	H50100M	WASHER, #6 SS	1
15	H50088M	O-RING, BUNA-N	2



## 4820RL ROMLink Dual Socket

PARTS BREAK DOWN



ITEM	PART NUMBER	DESCRIPTION	QTY.
1	C40151A-3	"J" SLOT SOCKET - 3	1
2	C40151A-4	"J" SLOT SOCKET - 4	1
3	C40011M	CONTACT BLOCK	2
4	H50073M	SCREW, #8-32 3/8"	8
5	H50401M-02	WASHER, #8	8
6	H50290M <sup>1,2</sup>	RIVET	2
7	H50292M <sup>1,2</sup>	WASHER	2
8	H50293M <sup>1,2</sup>	LOGO WASHER	2
9	H50288M <sup>1,2</sup>	CABLE	2
10	H50065M <sup>2</sup>	DUST CAP, GREEN	1
11	H50025M <sup>1</sup>	DUST CAP, BLUE	1
12	CIV-S100	SOCKET PIGTAIL 32"	1
13	H50221M	STRAIN RELIEF	1

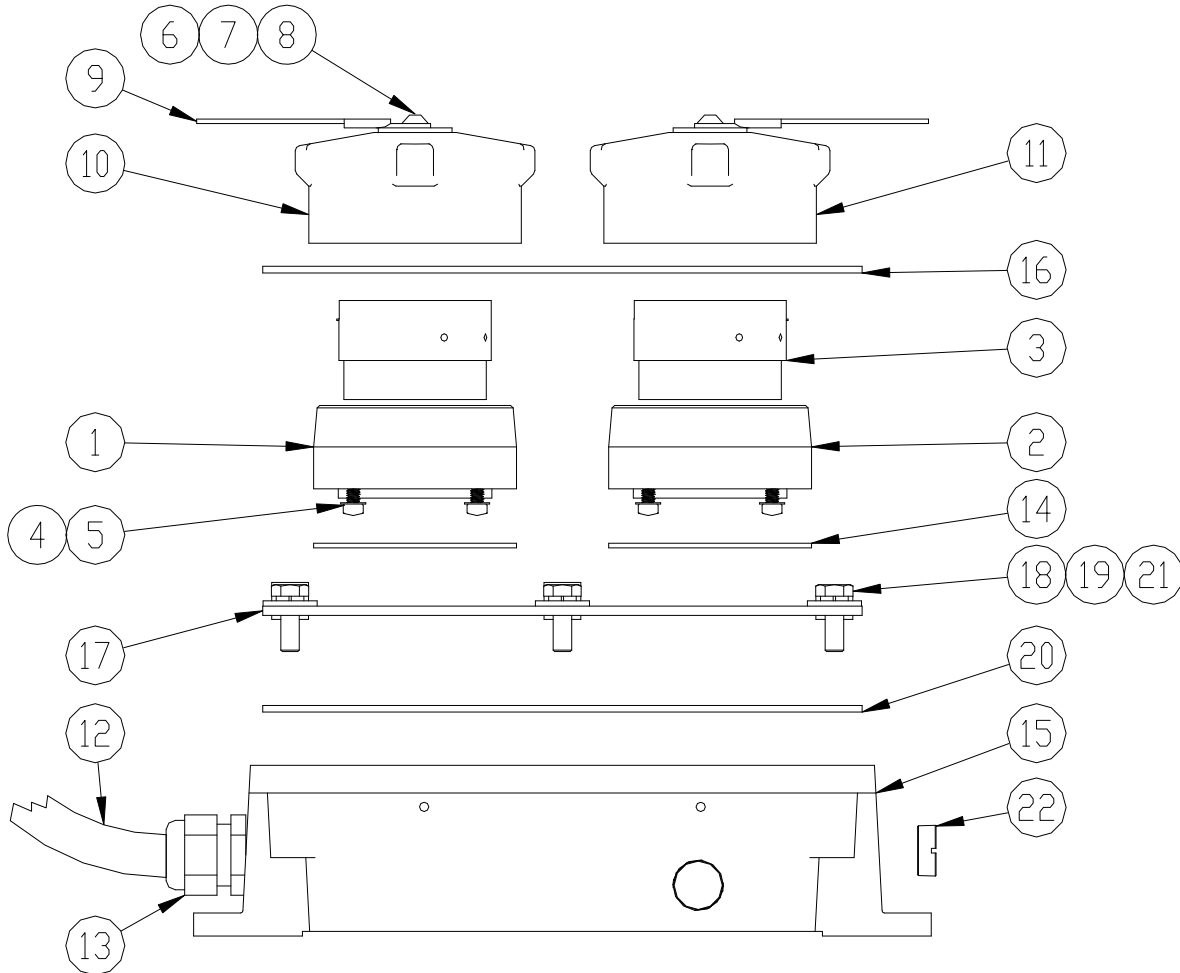
ITEM	PART NUMBER	DESCRIPTION	QTY.
14	H52479M	GASKET	2
15	D52550M	BASE	1
16	H52551M	LABEL	1
17	H52552M	PLATE	1
18	H50086M	LOCK WASHER, 1/4"	6
19	9485	WASHER, 1/4"	6
20	H52553M	GASKET	1
21	H50114M	SCREW, 1/4-20 3/4"	6
22	H50070M	PIPE PLUG	1

REPAIR KITS	
4150-4150	DUST CAP, BLUE
4450-4450	DUST CAP, GREEN

1 - Included in 4150-4150, 2 - Included in 4450-4450



## 4820 Dual Socket



PARTS BREAK DOWN

ITEM	PART NUMBER	DESCRIPTION	QTY.
1	C40151A-3 <sup>2</sup>	"J" SLOT SOCKET - 3	1
2	C40151A-4 <sup>1</sup>	"J" SLOT SOCKET - 4	1
3	C40011M <sup>1,2</sup>	CONTACT BLOCK	2
4	H50073M <sup>1,2</sup>	SCREW, #8-32 3/8"	8
5	H50401M-02 <sup>1,2</sup>	WASHER, #8	8
6	H50290M <sup>3,4</sup>	RIVET	2
7	H50292M <sup>3,4</sup>	WASHER	2
8	H50293M <sup>3,4</sup>	LOGO WASHER	2
9	H50288M <sup>3,4</sup>	CABLE	2
10	H50065M <sup>4</sup>	DUST CAP, GREEN	1
11	H50025M <sup>3</sup>	DUST CAP, BLUE	1
12	97701	CABLE, 7 COND. 20 GA BK	15'
13	H50221M	STRAIN RELIEF	1
14	H52479M <sup>1,2</sup>	GASKET	2

ITEM	PART NUMBER	DESCRIPTION	QTY.
15	D52550M	BASE	1
16	H52551M	LABEL	1
17	H52552M	PLATE	1
18	H50086M	LOCK WASHER, 1/4"	6
19	9485	WASHER, 1/4"	6
20	H52553M	GASKET	1
21	H50114M	SCREW, 1/4-20 3/4"	6
22	H50070M	PIPE PLUG	1

REPAIR KITS	
C40151-THERM	REPL. THERMISTOR FACE PLATE
C40151A-OPTIC	REPL. OPTIC FACE PLATE
4150-4150	DUST CAP, BLUE
4450-4450	DUST CAP, GREEN

1 - Included in C40151-THERM, 2 - Included in C40151A-OPTIC, 3 - Included in 4150-4150, 4 - Included in 4450-4450