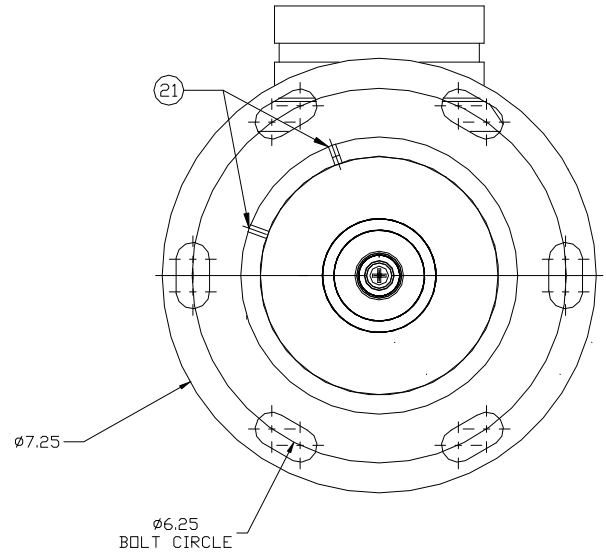
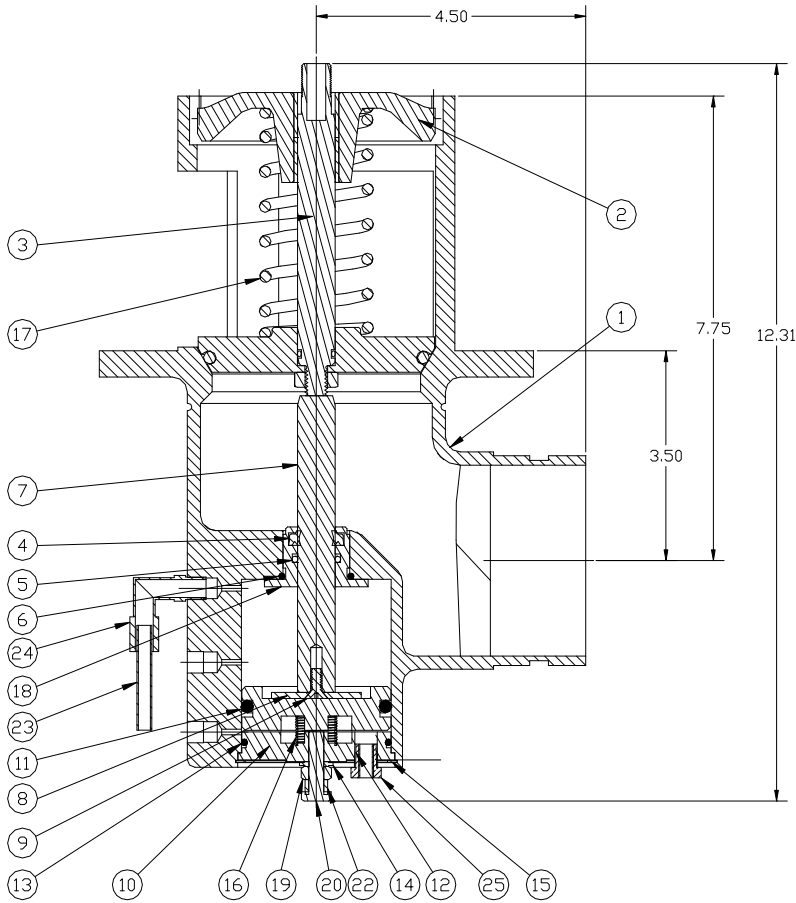




VA1050 3" Emergency Valve



ITEM	PART NUMBER	DESCRIPTION	QTY.
1	10684	MACHINED BODY	1
2	10819	TOP CAP ASSEMBLY	1
3	10810M	POPPET SUB-ASSEMBLY	1
4	10238M	WIPER SEAL	1
5	10681M	O-RING, VITON GF	1
6	10700	O-RING, VITON GF	1
7	10692	ROD, SS	1
8	10338	WASHER	1
9	10339	SCREW, 10-24 x 1/2 18-8	1
10	10683	PISTON	1
11	10676M	O-RING, FLUROSILICONE	1
12	10719	END CAP	1
13	10720	O-RING, BUNA-N	1

ITEM	PART NUMBER	DESCRIPTION	QTY.
14	10344	SEAL WASHER, 1/4" SS	1
15	10345	RETAIN CLIP	1
16	10346	SPRING, POPPET	1
17	10347	SPRING, AIR CYLINDER	1
18	10823	GLAND NUT	1
19	1088	NUT, 1/4-20 18-8	1
20	9541	SCREW, 1/4-20 x 1 18-8	1
21	9760	PIN, SS	2
22	10746	JACK SCREW	1
23	9052	QUICK EXHAUST	1
24	9054	BRASS ELBOW	1
25	5047	FUSIBLE PLUG	1