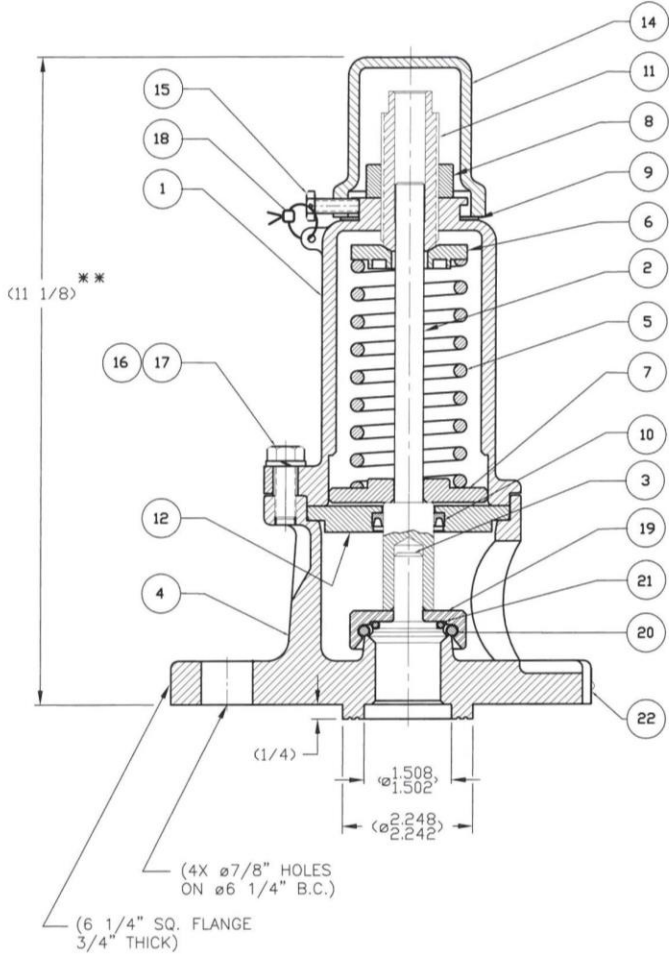


A-1700-R Series



ITEM NO.	QTY.	PART NAME	A-1735-R THRU A-17450-R STAINLESS TRIM		A-1739-R THRU A-17454-R STAINLESS STEEL	
			MATERIAL	PART NO.	MATERIAL	PART NO.
1	1	TOP GUIDE	STEEL	15-1-CS	STAINLESS STEEL	15-1-SS
2	1	STEM	STAINLESS STEEL	17-2-SS	STAINLESS STEEL	17-2-SS
3	1	PLUG	STAINLESS STEEL	17-3-SS	STAINLESS STEEL	17-3-SS
4	1	BODY	STEEL	15-48-CS	STAINLESS STEEL	15-48-MO
5	1	SPRING	STAINLESS STEEL	SEE TABLE	STAINLESS STEEL	SEE TABLE
6	1	FOLLOWER	STEEL	14-6-CS	STAINLESS STEEL	14-6-SS
7	1	GUIDE	STAINLESS STEEL	15-7-SS	STAINLESS STEEL	15-7-SS
8	1	TOP NUT	STEEL	15-8-CS	* STEEL	15-8-CS
9	1	TOP GASKET	BUNA-N	15-9-BN	BUNA-N	15-9-BN
10	1	SHAFT SEAL	TEFLON	17-10-TF	TEFLON	17-10-TF
11	1	ADJUSTMENT SCREW	STAINLESS STEEL	15-11-SS	STAINLESS STEEL	15-11-SS
12	1	SEAL RETAINER	STEEL	17-12-CS	STAINLESS STEEL	17-12-SS
13						
14	1	** CAP	STEEL	15-14-SS	* STEEL	15-14-SS
15	1	CAP SCREW	STEEL	15-15-CS	* STEEL	15-15-CS
16	3	BOLT W/ SEAL WIRE	STEEL	15-16-CS	STAINLESS STEEL	15-16-SS
17	3	LOCKWASHER	STEEL	15-17-CS	STAINLESS STEEL	15-17-SS
18	1	WIRE SEAL	LEAD/SS WIRE	22-72-PB	LEAD/SS WIRE	22-72-PB
19	1	RETAINER	STAINLESS STEEL	17-19-SS	STAINLESS STEEL	17-19-SS
20	1	SEAL "O" RING	* BUNA-N	10-10-BN	* BUNA-N	10-10-BN
21	1	PLUG "O" RING	* BUNA-N	10-11-BN	* BUNA-N	10-11-BN
22	1	NAMEPLATE	STAINLESS STEEL	SEE TABLE	STAINLESS STEEL	SEE TABLE

* ALTERNATE MATERIALS AVAILABLE.
** WITH 14-4-CS CAP, THIS DIMENSION IS 10 3/16"

PRESSURE SETTING (PSIG)	FLOW RATE (SCFM-AIR)	SPRING PART NUMBER	A-1735-R THRU A-17450-R		A-1739-R THRU A-17454-R	
			VALVE PART NUMBER	NAMEPLATE PART NUMBER	VALVE PART NUMBER	NAMEPLATE PART NUMBER
35	945	15-35-MO	A-1735-R	17-350-SS	A-1739-R	17-390-SS
75	1340	15-75-MO	A-1775-R	17-24-SS	A-1779-R	17-28-SS
150	1960	15-150-MO	A-17150-R	17-25-SS	A-17154-R	17-29-SS
165	2827	15-165-SS	A-17165-R	17-44-SS	A-17169-R	17-48-SS
225	3250	15-225-SS	A-17225-R	17-26-SS	A-17229-R	17-30-SS
247.5	3368	15-300-SS	A-17247-R	17-45-SS	A-17251-R	17-49-SS
255	3933	15-225-SS	A-17255-R	17-38-SS	A-17259-R	17-39-SS
280.5	3782	15-300-SS	A-17280-R	17-46-SS	A-17284-R	17-51-SS
300	4002	15-300-SS	A-17300-R	17-34-SS	A-17304-R	17-35-SS
330	3935	15-375-SS	A-17330-R	17-47-SS	A-17334-R	17-52-SS
375	3646	15-375-SS	A-17375-R	17-36-SS	A-17379-R	17-37-SS
450	4198	15-450-SS	A-17450-R	17-40-SS	A-17454-R	17-41-SS

NET FLOW AREA: .994 SQUARE INCHES
WEIGHT OF VALVE: 22 LBS.