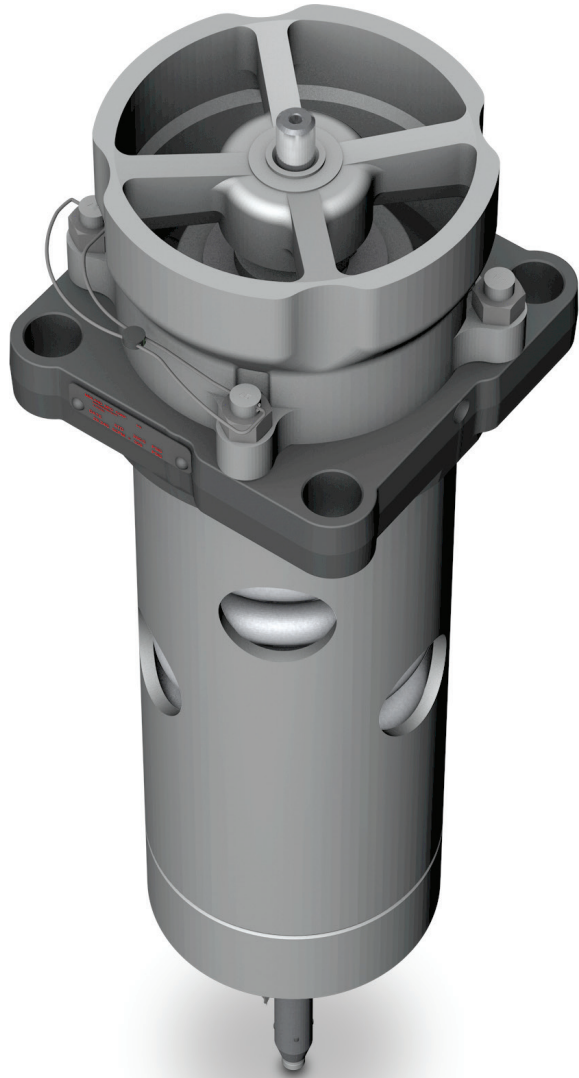


A-35000 Series

Pressure Relief Valve
November 1, 2016
(Rev. 1)



TECHNICAL SPECIFICATIONS

- Start-to-Discharge Pressure: SEE TABLE +/- 3% or 3 psi, whichever is larger
- Vapor Tight Pressure: SEE TABLE
- Certified Capacity at Flow Rating Pressure: SEE TABLE
- Flow Rating Pressure: SEE TABLE
- Effective Orifice Area: 6.91 in²
- Discharge Coefficient (Kd): SEE TABLE
- Max. Operating Temp.: 150°F
- Min. Operating Temp.: -30°F
- Mounting Studs: Four (x4) 7/8"-9 UNC
- Mounting Stud Torque: 150 +/-10 ft-lb
- Top Guide Mounting Stud Torque: 75 ft-lb
- Stem/Retainer Locknut Torque: 150 ft-lb
- Stem Adjusting Nut Top Locknut Torque: 100-120 ft-lb
- Mounting Configuration: O.D.: 6.745 +/- 0.003; I.D.: 6.005 +/-0.003
- Mounting Flange: 7-5/16 in² x 1-1/4" thick; Four (x4) \varnothing 15/16" holes on \varnothing 8 B.C.
- Weight: 74 lb
- AAR-Approval #: PRD082005
- NOTE: Alternate O-ring materials available.

A-35000 Series

Pressure Relief Valve

November 1, 2016
(Rev. 1)

VALVE ASSEMBLY	SPRING	NAMEPLATE	START-TO-DISCHARGE	VAPOR TIGHT	FLOW RATE		DISCHARGE COEFFICIENT
					RATE	FLOW RATED PRESSURE	
MODEL	P/N	P/N	(PSIG)	(PSIG)	(SCFM)	(PSIG)	(Kd)
A-35225	325-5-AS	35-21-SS	225	210	23198	247.5	0.69
A-35247	325-5-AS	35-26-SS	247.5	235	26433	272.25	0.72
A-35255	325-5-AS	35-27-SS	255	240	27808	280.5	0.74
A-35280	32-5-AS	35-28-SS	280.5	260	28245	308.55	0.68
A-35300	32-5-AS	35-29-SS	300	285	31036	330	0.7
A-35330	32-5-AS	35-30-SS	330	315	35107	363	0.73

ITEM	QTY	PART NAME	MATERIAL	PART NO.
1	1	TOP GUIDE	STEEL W/SS INSERT	32-1-XS
2	1	STEM	STAINLESS STEEL	32-2-SS
3	1	RETAINER	STEEL, PLATED (1) (4)	35-3-CS
4	1	BODY	STEEL (4)	32-4-CS
5	1	SPRING	ALLOY STEEL (3) (4)	SEE TABLE
6	1	FOLLOWER	STEEL, PLATED	32-6-CS
7	1	SPRING GUIDE	STEEL	32-7-CS
8	1	LOCK NUT	STEEL, PLATED (1)	23-8-CS
9	1	WASHER	NEOPRENE	23-9-NE
10	1	SEAT O-RING	BUNA-N (2)	32-10-BN
11	1	STEM O-RING	BUNA-N (2)	32-11-BN
12	1	ADJUSTMENT NUT	STEEL, PLATED (1)	23-12-CS
13	1	LOCK NUT	STEEL, PLATED (1)	23-13-CS
14A	2	STUD	ALLOY STEEL	10-14-AS
14B	2	STUD WITH HOLE	ALLOY STEEL	10-141-AS
15	4	HEX NUT	STEEL, PLATED (1)	10-15-CS
16	2	WIRE SEAL	SS/LEAD (2)	22-72-PB
17	1	NAMEPLATE	STAINLESS STEEL	SEE TABLE
18	2	DRIVE SCREWS	STAINLESS STEEL	763-11-SS

NOTES:

- (1) STANDARD PLATING IS ZINC OR CADMIUM.
- (2) ALTERNATE MATERIALS AVAILABLE.
- (3) FOR ALUMINUM COATED SPRING, SPECIFY -ASAL. FOR ZINC COATED SPRING, SPECIFY -ASZN.
- (4) FOR STAINLESS RETAINER AND STAINLESS BODY, ADD SUFFIX -XS TO VALVE PART NO.
- (5) AAR-APPROVAL NUMBER: PRD082005.

