

SWING AIR

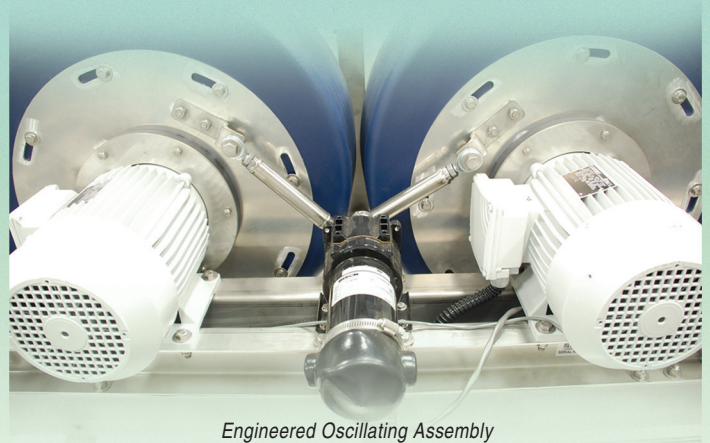
SYNCHRONIZED MOTION DRYING SYSTEM

Your customers will enjoy drier vehicles with PDQ's new **SwingAir Synchronized Motion Drying System**. The enhanced SwingAir oscillating feature improves dryer performance while still using less energy than most conventional dryers. This new system incorporates motion in the center two producers to help sweep water off of the vehicle's top surface, allowing the two outside producers to focus on pushing water down and off the sides of the vehicle. The SwingAir feature is available on both stand-alone and integrated MaxAir® drying systems and can be ordered on new car wash equipment as well as added as a retrofit kit for existing ProTouch® Tandem, Laserwash® 360 or MaxAir® stand-alone sites.



Integrated SwingAir Producers

- Oscillating feature to sweep water from the surface of vehicles
- 32" wider drying envelope with repositioned outside producers
- Better drying on sides of vehicles with inward-angled outside producers
- Can be ordered with new wash systems or as a retrofit kit
- Available on six producer, four producer or two producer MaxAir systems



Engineered Oscillating Assembly

Feel comfortable in your decision to purchase PDQ Equipment.
We are proud to be part of **DOVER** CORPORATION A Fortune 500 Company.

PDQ Manufacturing, Inc. 1698 Scheuring Rd. De Pere, WI 54115 USA (920) 983-8333 1-800-227-3373 www.pdqinc.com

PDQ
Vehicle Wash Systems
A DOVER COMPANY

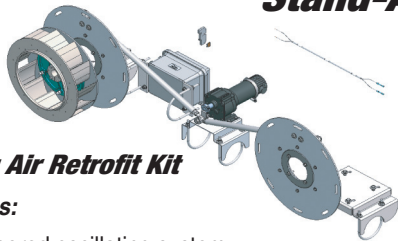


Scan QR
code to view
SwingAir
video



Retrofit your existing stand-alone or integrated MaxAir® dryer with the **SwingAir Synchronized Motion Drying System** to improve drying performance and increase customer satisfaction. The SwingAir upgrade enhances your drying capabilities by widening your drying envelope and by adding oscillation to the two center producers. *Scan or click on the QR code above to see the SwingAir in action!*

Stand-Alone Dryer Retrofit Kits



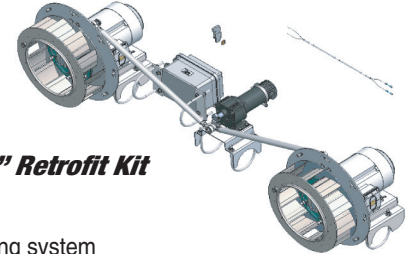
Swing Air Retrofit Kit

Includes:

- Engineered oscillating system
 - Slew bearing assembly, oscillating motor & link arms
- Electrical control box and wiring harness
- One new dryer fan (excluding plastic housing)
- Motor mounting brackets

*requires disassembly and reassembly of existing dryer motor assemblies

Part Number: 11350303 (208/230 60 Hz)
Contact Part Sales for other voltage/Hz



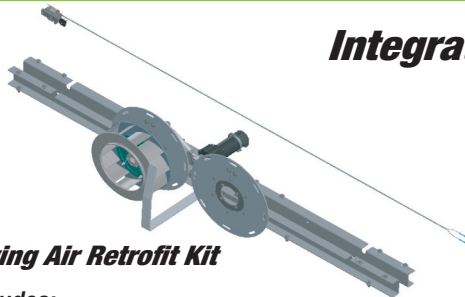
Swing Air "Complete" Retrofit Kit

Includes:

- Engineered oscillating system
 - Oscillating motor & link arms
- Electrical control box and wiring harness
- Motor mounting brackets
- 2 new fully assembled factory blower units
 - 2 - 7.5 HP motors
 - 2 - dryer fans (excluding plastic housing)
 - 2 - slew bearing assemblies

Part Number: 11350304 (208/230 60 Hz)
Contact Part Sales for other voltage/Hz

Integrated Dryer Retrofit Kits



Swing Air Retrofit Kit

Includes:

- Engineered oscillating system
 - Slew bearing assembly, oscillating motor & link arms
- Electrical control box and wiring harness
- One new dryer fan (excluding plastic housing)
- Motor mounting brackets

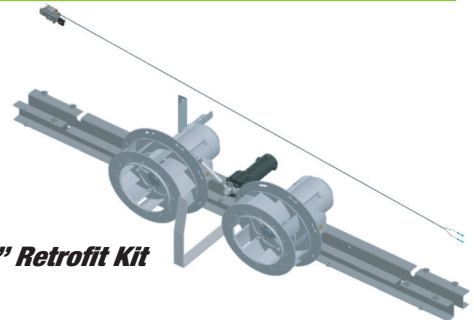
*requires disassembly and reassembly of existing dryer motor assemblies

LaserWash® 360

Part Number: 11350308 (208/230 60 Hz)
Contact Part Sales for other voltage/Hz

ProTouch® Tandem

Part Number: 11350310 (208/230 60 Hz)
Contact Part Sales for other voltage/Hz



Swing Air "Complete" Retrofit Kit

Includes:

- Engineered oscillating system
 - Oscillating motor & link arms
- Electrical control box and wiring harness
- Motor mounting fully assembled brackets
- 2 new fully assembled factory blower units
 - 2 - 7.5 HP motors
 - 2 - dryer fans (excluding plastic housing)
 - 2 - slew bearing assemblies

LaserWash® 360

Part Number: 11350312 (208/230 60 Hz)
Contact Part Sales for other voltage/Hz

ProTouch® Tandem

Part Number: 11350325 (208/230 60 Hz)
Contact Part Sales for other voltage/Hz

Feel comfortable in your decision to purchase PDQ Equipment.
We are proud to be part of **DOVER** CORPORATION A Fortune 500 Company.

PDQ Manufacturing, Inc. 1698 Scheuring Rd. De Pere, WI 54115 USA (920) 983-8333 1-800-227-3373 www.pdqinc.com

