

PROTOUCH[®]

TANDEM

www.pdqinc.com

PROTOUCH[®]
TANDEM

Soft-Touch In-Bay Automatic Vehicle Wash System



Delivering Innovative Vehicle Cleaning Solutions Worldwide

A DOVER COMPANY

PERFORMANCE, DEPENDABILITY AND QUALITY

ProTouch® Tandem RT300

PDQ has changed the friction in-bay automatic wash industry with a soft-touch machine like no other. The **ProTouch® Tandem** provides your customers with an exceptional wash experience with its overhead two-brush configuration. This innovative design creates a wide open, easy-to-use wash bay, which minimizes the potential for vehicle damage and provides your customers with the gentlest friction wash available that will keep them coming back to your site again and again. No other friction machine navigates 360 degrees around the vehicle as precisely as the ProTouch Tandem, to ensure complete and optimal cleaning coverage for the wide variety of vehicle types and sizes being driven by your customers today.

Two Bridges + Two Brushes + Two Cleaning Technologies = One Amazing Car Wash

THE PDQ Advantage:

- Open Bay Configuration
- Remote Monitoring and Configuration
- Exceptional Cleaning
- Low Maintenance Costs
- Energy-Efficient Design
- Low Water and Chemical Consumption
- Local Distributor Support
- 24/7 PDQ Technical Service Support
- Custom Friendly Virtual Treadle



Web-Based ProTouch Tandem Interface Software

Technology available on all your devices

Standard with every ProTouch Tandem is an advanced wash control system which allows you to access all key operating functions of the wash equipment through any web browser without additional or special software. You can configure wash packages, program machine functions and monitor sales activity remotely over the internet, obtaining real-time information and eliminating unnecessary visits to your wash sites. The ProTouch Tandem can also be programmed to automatically send alerts to your computer, tablet, or smartphone, providing instantaneous status of your wash activities and informing you of critical issues that may be occurring at your wash locations. This easy-to-program capability keeps you in touch with all of your sites from anywhere at any time.



Example Screen

Tablet

Desktop Computer

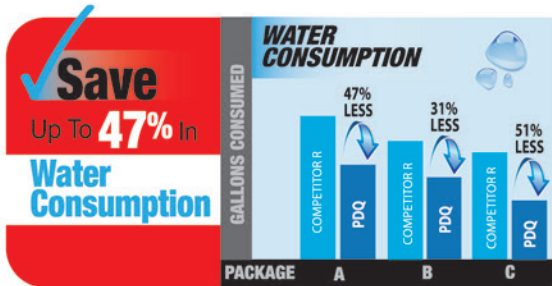


Get Your Wash Noticed... Not only will the ProGlow System help improve your customer flow, it can also be configured to work for you 24/7/365 by illuminating your wash bay day and night whether there is a vehicle in your bay or not. The system can be programmed to display multiple color combinations of flashing patterns, or constant colored illumination that matches your brand image. A glow from your wash bay can be a highly effective marketing tool to draw more attention to your wash site encouraging consumers to take notice and keep your existing customers coming back again and again.

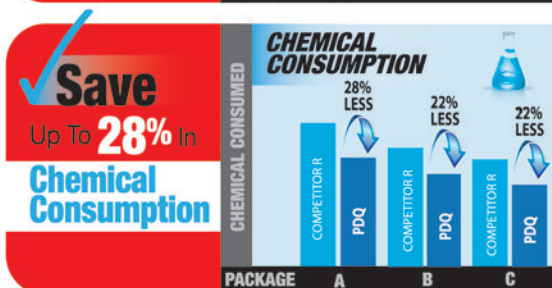
Available on new equipment or as a retrofit kit for installed ProTouch Tandem's

Return On Your Investment Dollar

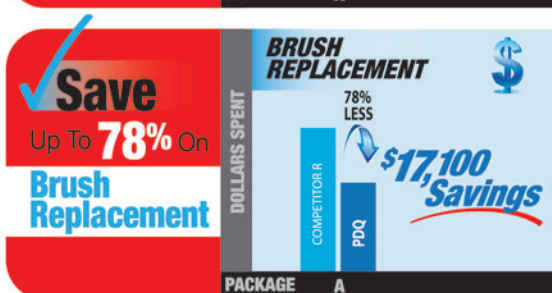
When comparing the ProTouch Tandem and other competitive equipment, the Tandem significantly lowers your operating costs over the life of your machine



The ProTouch Tandem's overhead, two-brush design was engineered to minimize maintenance and repair expenses, lower water and chemical consumption to provide the lowest cost of ownership over the life of the machine. In addition to the improved equipment life, the dual brushes have a 20% longer lifespan due to the gentle manner in which the brushes interact with the vehicle, and because there are only two brushes to replace versus 3-5 for other competitive friction systems, replacement costs are considerably lower.



Additionally, the ProTouch Tandem uses significantly less water and chemicals attributable to dedicated application manifolds, lower brush lubrication requirements and the pressurized chemical system, which ensures a superior and consistent application independent of water pressure fluctuations that can be encountered with regular city pressure wash systems. With these unmatched features the ProTouch Tandem will allow you to get consistent and superior cleaning at a much lower cost to ensure that you are maximizing your return on every single vehicle that is washed.



Lower Maintenance and Repair Costs + Lower Operating Costs = Higher Profits



Brush Material

Superior Customer Experience



Two Bridges / Two Brushes / Two Cleaning Technologies

The ProTouch Tandem's two-bridge design allows multiple cleaning processes to take place at one time, speeding up the wash cycle, allowing fast and efficient vehicle cleaning while optimizing the amount of water and chemicals being applied during the wash sequence. The two overhead bridges work in unison to easily navigate around and over the vehicle, seamlessly adjusting speed and positions to ensure complete and superior cleaning.

The profiling side brush effectively removes stubborn dirt from the vehicle's surface, while the widest top brush in the industry ensures full cleaning on the top surface areas. The closed-cell foam brushes are torque sensitive and monitor the contour of the vehicle, providing the added benefit of being quieter and without the aggressive shaking of the vehicle generated by five-brush wash systems. This unique wash experience offers one of the quietest washes with very gentle vehicle contact ensuring that your customers have a worry-free and enjoyable wash every time they visit your site.

The ProTouch Tandem RT300 offers a combination of both friction and high-pressure touch-free washing. Full body detergent coverage plus high pressure services ensures consistent, high quality cleaning performance for every vehicle washed.

Open Bay Wash Environment

Unlike other soft-touch wash systems, the ProTouch Tandem's overhead design creates an entirely open wash bay offering a more inviting environment for your customers. Navigation in and out of the wash bay becomes easy for everyone, no matter what type of vehicle they are driving. With a completely retractable side and top brush, ProTouch Tandem washes all standard sized production vehicles including large SUVs, pickups and even **dually trucks**.

Fully retractable wheel scrubbers, stationed at the entrance of the wash bay, ensure that they are virtually impossible to damage during the vehicle loading process, which is a common problem with many gantry-style friction wash systems because of the tight loading tolerances that these systems require.



Maximize Any Wash Bay



The ProTouch Tandem mounting system provides the flexibility to fit into a wide variety of wash bay configurations. The main support rails can be adjusted during installation to maximize the length of vehicles able to be washed. All systems ship with standard 34' (10.36m) long rails, allowing full washing and integrated drying of the longest North American vehicles in production. If your bay is less than 34' (10.36m), the rails length can be adjusted during installation.



Precision Loading System

The **Precision Loading System** allows longer vehicles to fit into shorter wash bays. With the addition of photo eyes, the vehicle parking tolerance can be shortened to 24" (600mm), effectively "stretching" your wash bay so it is one foot longer!

Revenue Generating Features

Vehicle Positioning

One of PDQ's pioneering innovations is the unparalleled Virtual Treadle. This electronic vehicle-sensing technology eliminates drive-on floor mounted mechanisms, creating a wide open and inviting bay for your customers. The Virtual Treadle process begins as the vehicle enters the wash bay. Ultrasonic sensors will accurately measure the vehicle's width and side to side position, and top sensors signal the driver to stop or back up by activating easy to understand LED signs. The wash system is then activated allowing the ProTouch Tandem to maintain the optimal amount of brush impact on the vehicle. This totally integrated system provides consumers with a simple entry into the wash without the hassles of treadles or guide rails, maintaining that open bay feeling.



Open Bay

Advanced Solutions Application

PDQ is well recognized as the industry's leader when applying fluids, solutions and sealants to vehicles due to the efficient and consistent manner in which we cover the wide variety of vehicles that your customers bring to your wash sites. The ProTouch Tandem can also sense open-bed pickup trucks eliminating the application of 3X foam in areas where it is not required, reducing your cost per wash. With the optional articulating top blasters you can delight your customers with a wash experience that no other friction manufacturer can provide.



Undercarriage



3X Foam

As with all PDQ wash systems, you can also increase your revenue per vehicle with up-selling features such as front bug prep, 3X foam, triplex wheel cleaning, super sealant application, top blasters, undercarriage and more. All of these options are designed to ensure you increase your profitability and keep your customers coming back, again and again.



High Pressure Oscillating Top-Blasters



High Pressure Side-Blasters

High Pressure

Every ProTouch Tandem RT300 comes equipped with High Pressure Side Blasters. This combination of hybrid technology offering both friction and touch-free washing, sets this machine apart from the competition. Each side arm will accurately profile the vehicle and offers powerful rotating nozzles focusing on the vehicles lower body sides. In addition to the side blasters, the optional oscillating Top-Blaster's can be used to enhance the cleaning of the vehicles top surfaces. This option equips the ProTouch Tandem with dual oscillating manifolds that can be used to perform many functions: snow and ice removal, faster rinsing, and of course superior high pressure cleaning performance.



Advanced Tire and Wheel Scrubbers

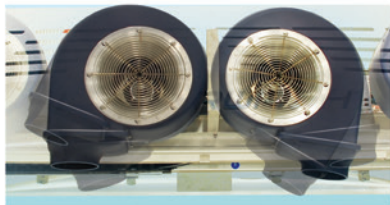
One of the most sensitive areas for customers to have cleaned when they visit your wash site, are their wheels. Your customers are willing to pay more to have their dirty wheels cleaned; with the ProTouch Tandem you have multiple cleaning technologies in play to meet even the most demanding consumer needs.

PDQ's Triplex Wheel Cleaning System takes tire scrubbing to a new level of customer satisfaction. During the process, each tire can receive a chemical application allowing for dwell time, the wheel receives an intense bi-directional rotational scrubbing, and then the full wheel receives a high pressure blast.



SwingAir

The ProTouch Tandem can be equipped with a variety of drying options. We offer a complete integrated drying system for smaller bays, as well as a MaxAir stand alone dryer in either four or six producer configurations. The Tandem also is available with PDQ's SwingAir Synchronized Motion Drying System. This new feature incorporates motion in the center two producers used to help push the water off of the vehicles top surface, allowing the two outside producers to focus on drying the sides of the vehicle. This synchronized drying system offers a superior dry that your customers will appreciate. The SwingAir option is available on both the integrated and stand alone MaxAir drying systems.



FlashDry®

The ProTouch Tandem also offers PDQ's advanced FlashDry system, which reduces the time required to complete the drying cycle. The three step process begins with the back bridge applying a protectant. Next the front bridge applies a spot free rinse with the rain arch, which is instantly followed by forced air from a MaxAir integrated dryer. The high velocity air keeps the rinse water moving in rapid motion across the vehicle, not allowing water to settle on the surface, providing a quality dry in an efficient manner.



FlashDry

ProTouch® Tandem Features:

ProTouch® Tandem RT300 Base Unit Includes:

- Front Bridge (foam side brush, brush lube system, rain arch rinse manifold, sealer wax delivery, spot free intake, ultimate bridge cover package, and ultrasonic vehicle loading system)
- Back Bridge (foam top brush, brush lube system, ultrasonic vehicle locating system, and ultimate bridge covers)
- Front Vehicle Chemical Applicator (Rain Arch & Bug Prep)
- Advanced Side Arch Chemical Applicators (Tire)
- High Pressure Side Blaster with Advanced Wheel Scrubber
- Bay Control Box w/Conductor
- Clear Coat Protectant Application System
- Software Weep (for low temperature conditions)
- 34' (10.36m) main machine rails with clamp system for attachment to preinstalled bay cross beams
- Left-side mounted E-Chain hose/wire control system
- In-Bay Instruction sign with audio control
- Hand held Remote Control for simple in-bay maintenance and diagnostic troubleshooting
- Web Browser interface for configuration and setup
- Email/Text/Cortex messaging capabilities
- ACCESS entry unit "network ready" connection ability

ProTouch® Tandem RT300 Optional Items:

- Drive Through Underbody manifold (Low or High Pressure)
- 3X Foam Applicators
- Super Sealant Applicators
- High Pressure Top Blaster
- Rust Inhibitor
- MaxAir 4 Producer On-Board Dryer
- MaxAir, 4 or 6 Producer Stand Alone Drying system
- ProGlow Illumination System
- SwingAir Drying options
- Complete sign package
- Custom Color Side and Top Brush



ProTouch® Tandem Specifications

Building Requirements

		RECOMMENDED	MINIMUM
Height		11' (3.35m)	10'-6" (3.20m)
Width	Cross Beam Mount or Freestanding Frame	16' (4.88m)	13'-6" (4.11m)
Length**	With On-Board or No Dryer	36' (10.97m)	34' (10.36m)*
	With MaxAir Stand-Alone Dryer (with covers)	50' (15.24m)	39'-3" (11.96m)

Note: Equipment dimension specifications do not take into consideration any obstructions, unusual wash bay configurations, etc.

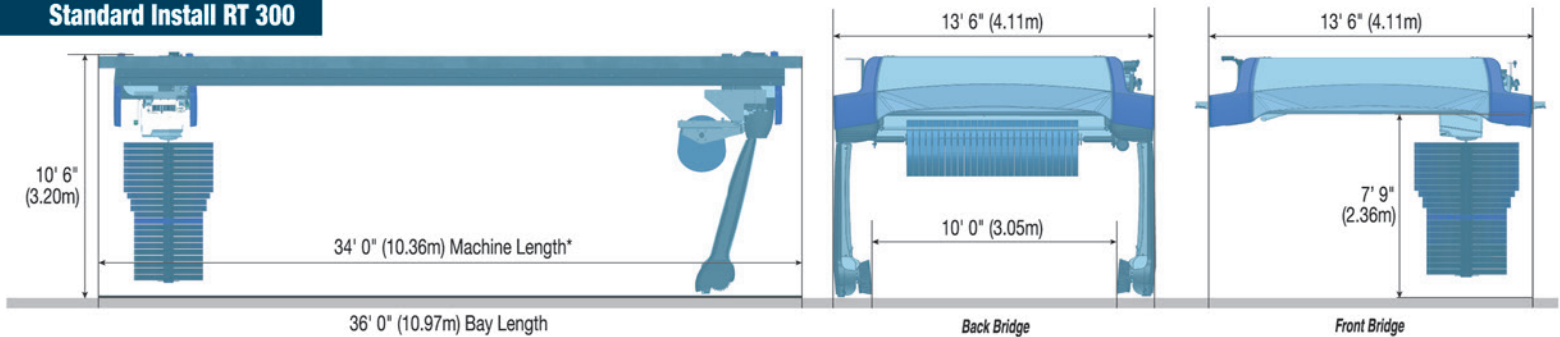
Utility Requirements

Air	1.5 SCFM @ 10 psi (0.69 Bar) Minimum, 90 psi (6.21 Bar) Maximum
Water	30 GPM (113.6 LPM) @ 20 psi (1.38 Bar)
Electrical	3-Phase, 50/60 Hz

Electrical Requirements

Voltage	Front Bridge	Back Bridge	Control Transformer	Dryer Supply 1	Dryer Supply 2
208/230 VAC 3PH 60 HZ	14 Amps	32 Amps	6A - 220 VAC 1PH 60 HZ	44 Amps	44 Amps
380/415 VAC 3PH 50 HZ	15 Amps	30 Amps	6A - 220 VAC 1PH 50 HZ	14 Amps	14 Amps

Standard Install RT 300



*Add 5" (0.13m) to bay length for free standing frame option

**Rails can be cut to length for shorter bays



PDQ reserves the right to revise designs, add or delete features and change specifications at any time without notice or obligation.

Feel comfortable in your decision to purchase PDQ Equipment.
We are proud to be part of **DOVER CORPORATION** A Fortune 500 Company.

PDQ Manufacturing, Inc. 1698 Scheuring Rd. De Pere, WI 54115 USA (920) 983-8333 1-800-227-3373 www.pdqinc.com

Copyright © 2013 PDQ Manufacturing, Inc.



Vehicle Wash Systems

A DOVER COMPANY

MADE IN THE USA