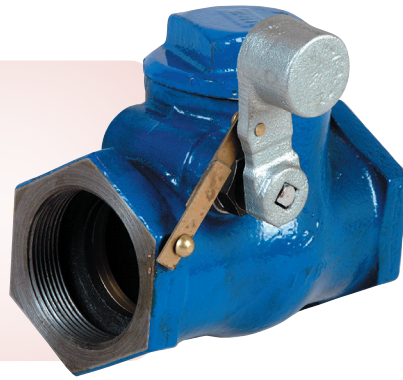


Materials

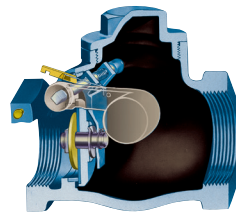
Body and Cap: Ductile iron
Packing Nut and Stem: Stainless steel
Disc: Viton®
Stem Seat: Viton®
Seat Ring: Brass
Cap and Packing Nut Seals: Viton®



(Valve Shown in Open Position)



(Valve Shown in Closed Position)



Features

- ◆ 178S Ductile Iron Construction – valve is manufactured from a ferrous metal to resist fracturing from high temperatures.
- ◆ Full-Bore Inside Diameter for Superior Flow Rates – maximizes flow rates in the fuel supply lines.
- ◆ Protected Main Poppet Disc – main poppet seal is held out of the main flow stream and protected from damage due to dirt or debris in the fuel.
- ◆ Compensator Ring on Main Poppet Carrier – ensures full seating of the main poppet for a tight seal.
- ◆ Viton® Main Disc and Stem Seat – compatible with gasoline, diesel, kerosene, ethanol, methanol, MTBE, fuel oil, mogas, motor oil and various other blends of fuel.
- ◆ Rated At Normal Pressure Limit of 125 psi (8.6 bar) (cold)
- ◆ Non-Shock Pressure Limit of 200 psi (13.8 bar)
- ◆ Temperature Limit 225° F

Ordering Specifications

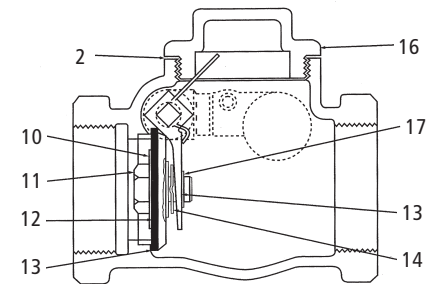
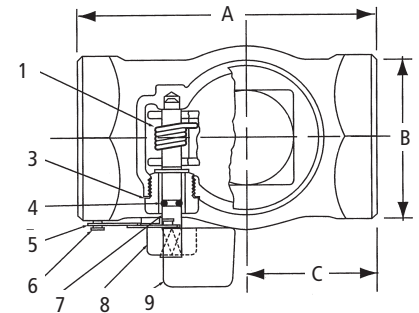
Product #	in.	mm	lbs.	kg
178S-6130	2	51	5.35	2.43

Replacement Parts

Key	Part #	Description
1	H05973M	Spring
2	H12070M	O-ring (Viton®)
3	H7635RB	Packing Nut
4	H10445M	O-ring (Viton®)
5	H01344M	Fusible Link Sub-Assy.
6	H01505RB	Pin
7	C01533RB	Stem
8	H07644M	Set Screw
9	H07642ZA	Lever
10	H03295M	Washer
11	H04035M	Disc Nut
12	H12071R	Disc (Viton®)
13	H10004A	Disc Holder
14	H11293M	Compensating Ring
15	C03144M	Carrier
16	H11547DI	Cap
17	H10003M	Retaining Ring

OPW 178S Series External AST Emergency Shut-Off Valve

The OPW 178S Series External AST Shut-Off Valve is designed to shut off product flow from an above ground storage tank, bulk loading rack or any place in the fuel supply line in the event of a fire. The 178S installs in-line on fuel supply piping. A fusible link attached to a spring-operated lever holds the poppet normally open. In the event of a fire, the fusible link melts at 160° F, allowing the spring-actuated poppet to shut off the flow of product in the fuel supply line. The 178S is available in 2" female NPT connections.



Dimensions

	in.	mm
A	5 ¹⁷ / ₃₂	140
B	3 ¹ / ₁₆	78
C	3 ¹ / ₁₆	62

Listings and Certifications 

**For more information contact
 OPW Customer Service at
 1-800-422-2525; International
 call 1-513-870-3315.**