

80TT Series Vapor Recovery Elbow

Civacon's two-piece vapor recovery elbow features a one-handed, push on operation for safe, reliable recovery of fuel vapor from underground storage tanks.



Features & Benefits

- One-Handed, Push On, Cam Off Operation
- Ergonomic Handle & Trigger Release Mechanism
- Meets CARB Vapor Seal Requirements
- Replaceable Hose Connection Fitting
- Lightweight Heavy Duty Aluminum Casting
- 11.44" Operating Height
- Enhanced Cold Temperature Sealing
- No Special Tools Required for Maintenance

Ordering Specifications

80TT Series Vapor Recovery Elbow

80TT	Vapor Elbow with 3" Male Cam and Groove Adapter
80TTA	Vapor Elbow with 4" Male Cam and Groove Adapter
80TTF	Vapor Elbow with 3" NPT Female Adapter

80TT Series Vapor Recovery Elbow

Specifications

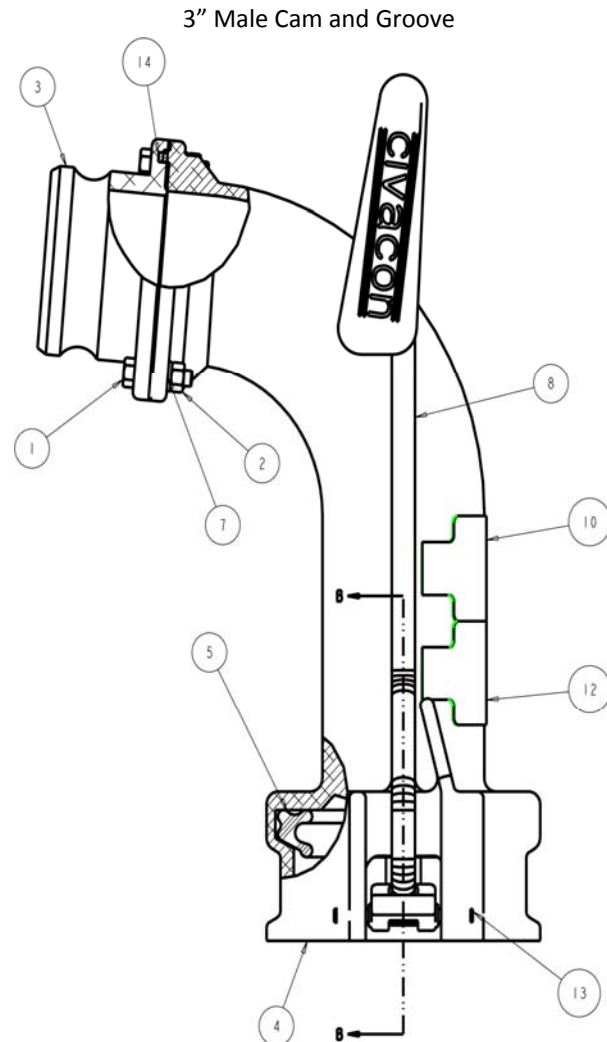
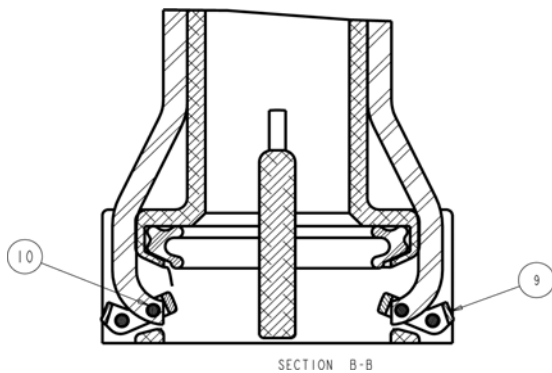
Product Number:
80TT Shown

Materials:
Aluminum, Stainless Steel, Buna N Gaskets

Dimensions:
Height - 16.57" (42.09 cm)
Width - 10.71" (27.20 cm)

Weight:
12 lbs. (5.45 kg)

Temp. Rating:
-30° F to 150° F (-34.4° C to 65.5° C)



80TT Vapor Recovery Elbow

ITEM	PART NUMBER	DESCRIPTION	QTY.	ITEM	PART NUMBER	DESCRIPTION	QTY.
1	6112	Screw Hex Head 5/16" – 18 x 1" LG	1	8	C10078M	Latch Handle	1
2	7816	Nut hex Head 5/16 –18	4	9	C10079A	Cam Lever	2
3	11588	3" Male Adapter (Shown)	1	10	C10104M	Operation Label	1
3a	12232	4" Male Adapter (Not Shown - For 80TTA)	1	11	H20140M	Groove Pin ¼" Diameter	2
3b	12228	3" NPT Female Adapter (Not Shown - For 80TTF)	1	12	H20257M	Warning Label	1
4	12064	Body, Machined	1	13	H20304M	Groove Pin ¼ x 3 LG SS	2
5	12157	Gasket - Tank Connection - Buna N	1	14	H52373M	Gasket - Hose Adapter - Buna N	1
6	12226	Model Label (Not Shown)	1	15	H53001M	Label Screw (Not Shown)	2
7	10806M	Lock Washer MB	4				